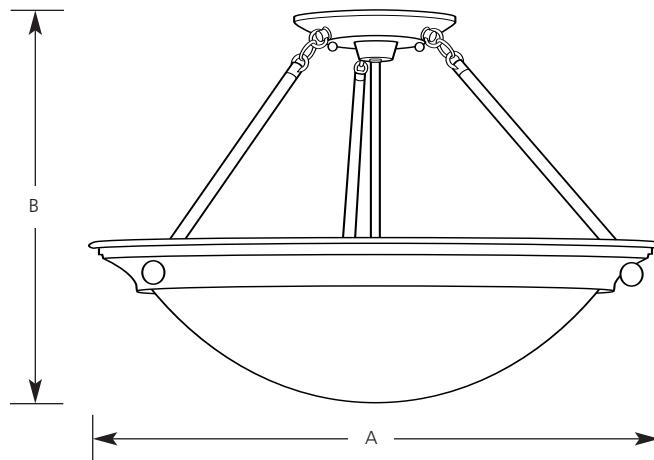


Type _____
 -10 -13
 P3569

Catalog No.	Finish		Lamping	Dimensions (Inches)	
	Polished Brass	Brushed Steel		A	B
P3569	-10	-13	3 (m) 100w	19-3/8	13-1/4



Specifications:

General

- Semi-flush mount design
- Steel construction with Polished Brass (-10) or Brushed Steel (-13) finish
- Satin white glass
- Ideal for 9-foot ceilings or higher
- Companion foyer, flush mount and wall sconce

Mounting

- Ceiling mount
- Covers outlet box
- Mounting strap for outlet box included
- Canopy 5-1/2" dia.

Electrical

- Ceramic medium based sockets
- Pre-wired

Labeling

- UL-CUL listed

