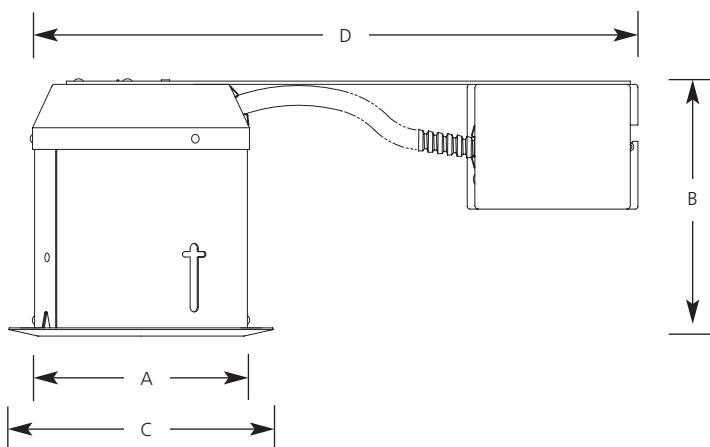


Type \_\_\_\_\_

P184-TG

Catalog No.	Lamping	Dimensions (Inches)			
		A	B	C	D
P184-TG	See Trim Specifications	5	5-1/2	5-5/8	14-1/8
		Ceiling Opening 5-1/8			



**Specifications:**

Wiring

- Grounding pigtail
- 1/2" Knock outs

Construction

- Shallow housing for 2X6 construction
- Housing adjusts from 1/2" to 1" thick ceilings
- Galvanized steel construction
- Porcelain socket with nickel-plated brass screw shell
- Notched housing for chalkline alignment
- Overspray protection
- Adjustable slide bars lock unit securely to ceiling

Labeling

- UL-CUL listed for damp locations and through wiring (2in, 2out, 12ga.)
- IC and Non-IC rated
- Approved for use in New York City per calendar #40330

Lamp/Trim

- Socket mounts to trim for optimum performance and consistent lamp position
- Positive upward spring action forces trim to fit snugly against the ceiling