

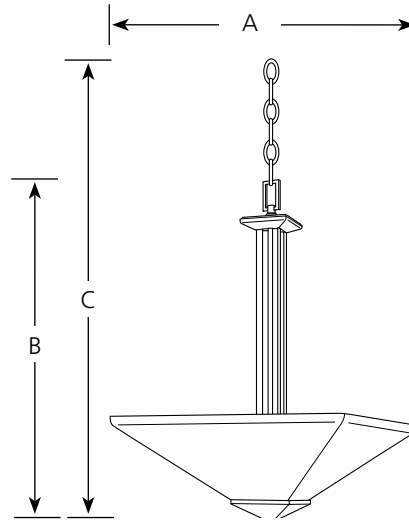
Type _____

-09 -74

P3906

Finish

Catalog No.	Finish			Dimensions (Inches)		
	Brushed Nickel	Venetian Bronze	Lamping	A	B	C
P3906	-09	-74	2 (m) 100w	16	24-1/8	100



Specifications:

General

- Square etched inverted glass shade: 16" dia. x 5-1/2" ht., 1/2" center hole
- Center column is a cluster of four square rods
- Six feet of 9 gauge matching chain supplied
- Plated Brushed Nickel (-09) or painted Venetian Bronze (-74) finish
- Steel construction
- Companion foyer, chandelier, pendant, close to ceiling, and bath & vanity units

Mounting

- Ceiling chain mounted
- Canopy covers a standard 4" recessed octagonal outlet box
- Canopy is 4-3/4" sq. x 1-1/8" deep
- Mounting strap for outlet box included

Electrical

- Medium based ceramic socket
- 15 feet of wired
- Pre-wired

Labeling

- UL-CUL listed