



Incandescent

**Line Voltage Adjustable
Track Head**

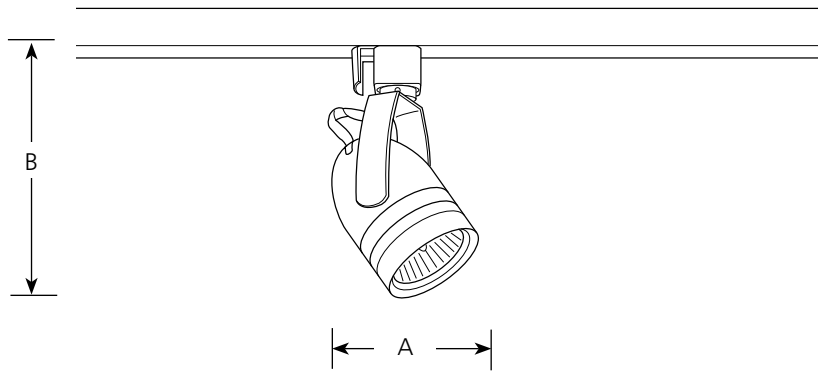
Track

Type _____

-09

P6112

Catalog No.	Finish	Lamping	Dimensions (Inches)	
	Brushed Nickel		A	B
P6112	-09	1-120v 50w MR16	2-9/16	5-7/8



Specifications:

General

- Polarity oriented
- Quarter turn locking action
- Tab lock to prevent accidental removal
- Plated Brushed Nickel finish
- Die cast aluminum construction

Electrical

- GU10 based lamp socket
- Pre-wired, assembled and ready to install on the track

Labeling

- UL-CUL listed

Mounting

- For use on Track-1 (P6200 series), or Alpha (P9100 series) track
- See current Progress catalog for track and accessories

Progress Lighting
701 Millennium Blvd.
Greenville, South Carolina
29607

www.progresslighting.com

Rev. 7/09