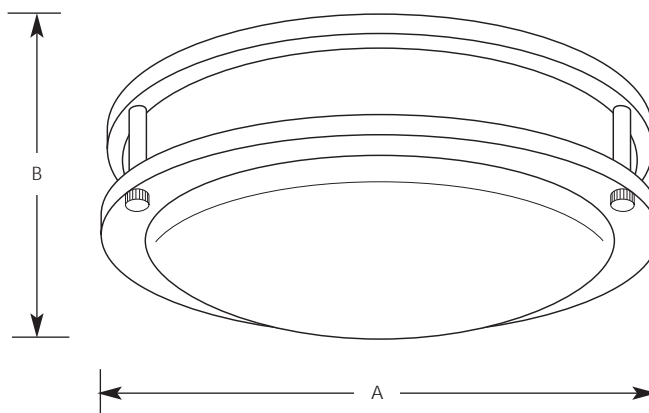


Type _____
 -09EBWB -174EBWB
 P7249

Catalog No.	Finish	Lamping	Socket	Dimensions (Inches)	
	Brushed Nickel			A	B
P7249	-09EBWB	1-22wFC8T9 Included	4-Pin	10-3/8	3-1/2
	-174EBWB	1-22wFC8T9 Included	4-Pin	10-3/8	3-1/2



Specifications:

General

- White Acrylic round diffuser
- Brushed nickel circular trim
- Plated finish on trim
- Steel construction
- Meets ADA (Americans with disabilities act) requirements when wall mounted.
- Certified Energy Star product

Electrical

- Pre-wired
- 120 volt NPF electronic ballast

Labeling

- UL-CUL listed for damp locations

Mounting

- Ceiling or wall mount
- Covers outlet box
- Mounting strap for outlet box included

