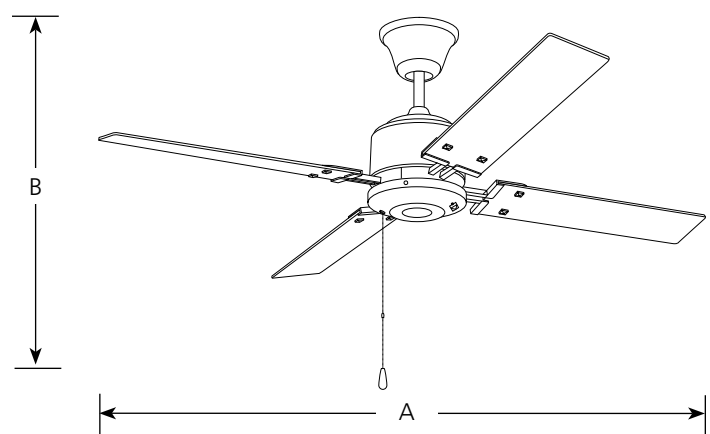


Type _____
 -09 -20
 P2531

Catalog No	Finish		Dimensions (Inches)	
	Brushed Nickel	Antique Bronze	A	B
P2531	-09	-20	52	16
Blades				
Side 1	Natural Cherry	Medium Cherry		
Side 2	Cherry	Classic Walnut		



Specifications:

General

- 30 year limited warranty
- Energy Star Certified
- Pull chain on brushed nickel (-09) is chrome with a maple fob and antique brass (-20) is oxide with a walnut fob

Blades

- Four blades
- Reversible
- 12.5 degree pitch
- Sure Connect blade attachment system
 - Screws preinstalled in blades for attachment to motor arms
 - Special guides align blades to motor arms
 - Preinstalled rubber isolation pads minimize vibration noise
- Plywood blade construction

Motor

- 3-speed pullchain control
- Triple capacitor speed control; manual reverse control
- 153mm dia x 18mm high

Mounting

- A 1" x 6" downrod is included. Longer accessory downrods can be ordered separately
- Standard canopy designed for sloped ceilings up to 45 degrees (12:12 ceiling pitch)
- Oversized, textured die cast hanger ball reduces noise and wobble vibrations
- Canopy covers standard recessed 4" octagonal outlet box. Note: An outlet box assembly designed for fan installation is required (not included)
- Mounting hardware is included
- Close-to-ceiling installation 11" ht.

Electrical

- 80" lead wires included
- Light fixture adaptable
- Pre-wired

High Speed Energy Information

- Airflow – 5,275 cfm
- Energy consumption – 57 watts
- Airflow efficiency – 93 cfm/watt

Labeling

- UL listed
- Energy Star Certified



Progress Lighting
 701 Millennium Blvd.
 Greenville, South Carolina
 29607