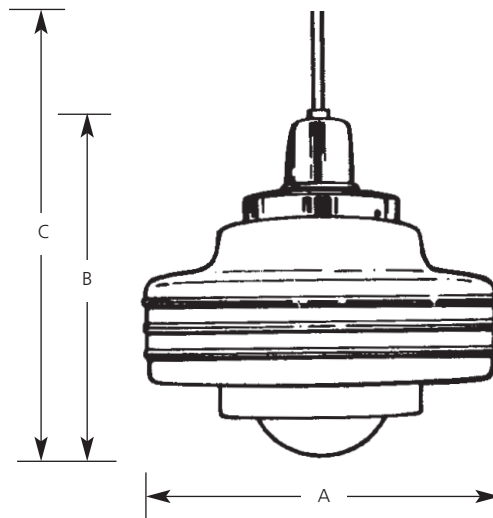


Type \_\_\_\_\_  
 -16  
 P5121

Catalog No.	Finish	Lamping	Dimensions (Inches)		
	Satin Aluminum		A	B	C
P5121	-16	1 (m) 150w	14-3/8	12-1/4	48



**Specifications:**

General

- Hand blown glass shade: 13-5/8" dia. x 9-3/4" ht., 5-3/4" OD hole
- Satin white on clear glass
- Satin aluminum finish
- Aluminum construction

Electrical

- Medium based phenolic socket
- Pre-wired

Labeling

- UL-CUL listed

Mounting

- Cord hung ceiling
- 4 feet of white cord
- 15 foot cord accessory available (P8625-30) for higher ceilings.
- Covers outlet box
- Mounting strap for outlet box included
- Matching aluminum canopy is 5-1/4" diameter
- Thumbscrews retain glass