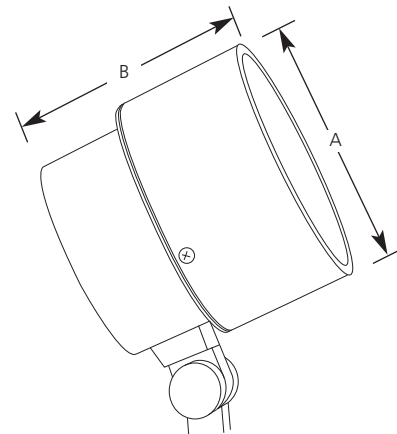
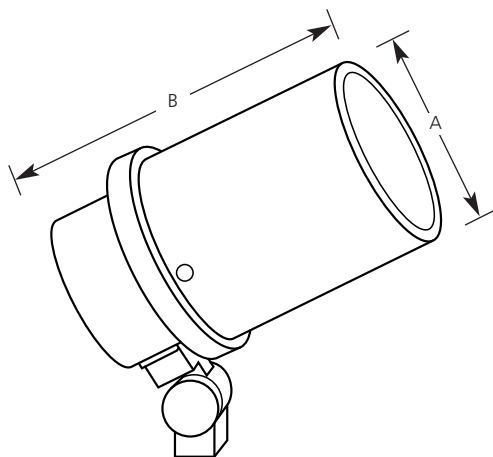


Type _____
 -31
 P5236
 P5237

Catalog No.	Finish Black	Lamping	Dimensions (Inches)	
			A	B
P5236	-31	1-50w 12v D.C. Bay	4-1/2	6-5/8
P5237	-31	1-50w 12v PAR36	5-1/4	5-1/4



Specifications:

General

- Die cast aluminum construction
- Lens cover assembly removable for relamping
- Black powder coat paint
- Sealed clear lens
- Positive adjustment with stainless steel locking screw for aiming
- Low voltage units can be moved as needed for plant growth
- Accessory light shield (8612 & P8614) & cube cell louvers (8611 & P8613) available

Mounting

- Mounts on stake, landscape post or stem (order separately)
- 1/2 NPS thread

Electrical

- 72" of wire furnished for connection to source
- Units must be wired to approved 12v transformer of proper capacity
- Recommend P8673-31R connectors or equal

Labeling

- UL-CUL wet location listed