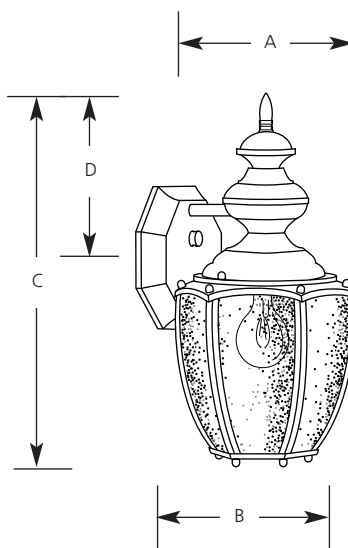


Type \_\_\_\_\_  
-19  
P5765

Catalog No.	Finish Roman Bronze	Lamping	Dimensions (Inches)			
			A	B	C	D
P5765	-19	1-100w A19	7	7-1/4	14-1/4	5-3/4



**Specifications:**

General

- Wall lantern - Acorn style
- Roman Bronze finish
- Solid brass construction
- Clear seeded curved glass: 6-11/16" ht., 3" top width, 1-11/16" bottom width
- Lamp replacement through bottom opening
- Matching post top and chain hung units available

Mounting

- Wall mounted
- Covers standard junction box
- Mounting strap for outlet box and cap nuts provided
- Back plate - 4-3/4" W., 5-1/2" ht.

Electrical

- Medium based socket are porcelain with nickel plated brass screw shell

Labeling

- UL-CUL wet location listed