

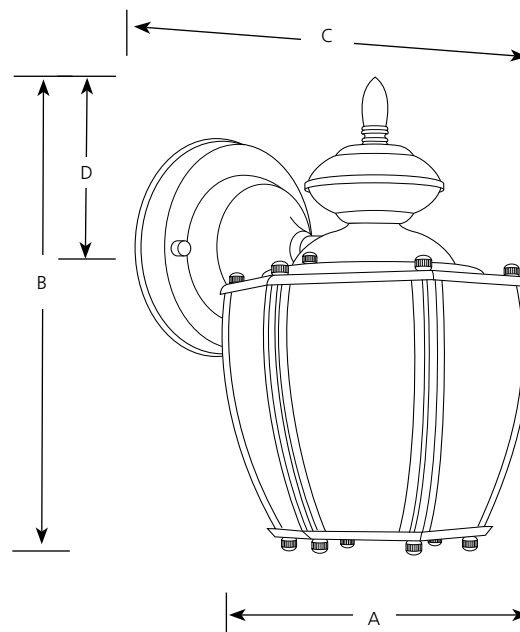


Compact Fluorescent

Roman Coach

Outdoor

Catalog No.	Finish			Lamping	Dimensions (Inches)			
	Brushed Nickel	Antique Bronze	Textured Black		A	B	C	D
P5766	-09	-20	-31	1-13w GU-24	6	9-13/16	7	3-1/2



Specifications:

General

- Etched Seeded glass curved panels
- Acorn style
- Aluminum construction
- Plated Brushed Nickel (-09) finish
- Painted Antique Bronze (-20), Textured Black (-31) finishes
- Lamp replacement through bottom opening
- Companion Post top lantern, Wall lantern, fixtures are available

Electrical

- GU24 base socket
- Pre-wired

Labeling

- cCSAus Wet location listed

Mounting

- Wall mount
- Back plate covers a standard 4" hexagonal recessed outlet box
- Mounting strap for outlet box included

Progress Lighting
 701 Millennium Blvd.
 Greenville, South Carolina
 29607

www.progresslighting.com

Rev. 08/13