

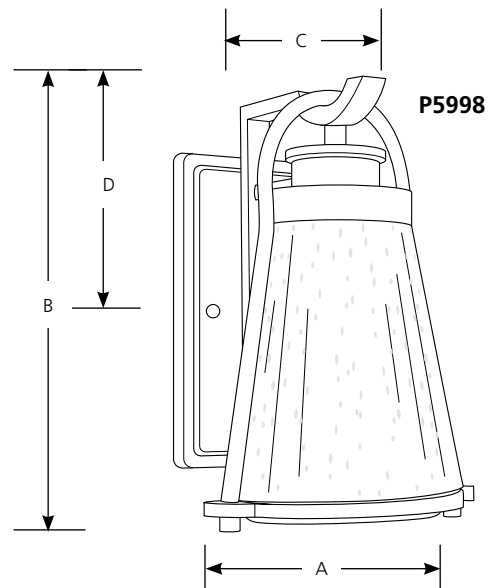
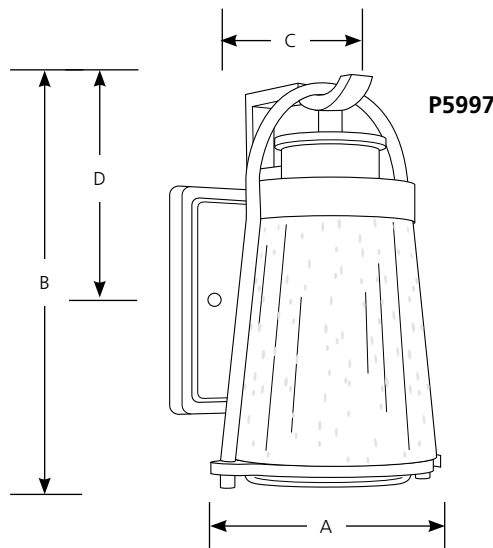
Catalog No.	Finish	Lamping	Dimensions (Inches)			
	Antique Bronze		A	B	C	D
P5997	-20	1 (m) 100w	7-1/2	11-1/8	7-3/4	6
P5998	-20	1 (m) 100w	9-1/2	13	9-3/8	6-3/4

Type \_\_\_\_\_

-20

P5997

P5998



**Specifications:**

General

- Clear seeded glass shade exterior
- Etched opal glass diffuser interior:
- Powdercoat Antique Bronze (-20) finish
- Steel construction
- Companion Chain hung lantern, Post top lantern, Wall lantern, fixtures are available

Mounting

- Wall mount
- Back plate covers a standard 4" hexagonal recessed outlet box
- Mounting strap for outlet box included

Electrical

- Medium base ceramic sockets
- Pre-wired

Labeling

- cCSAus Wet location listed