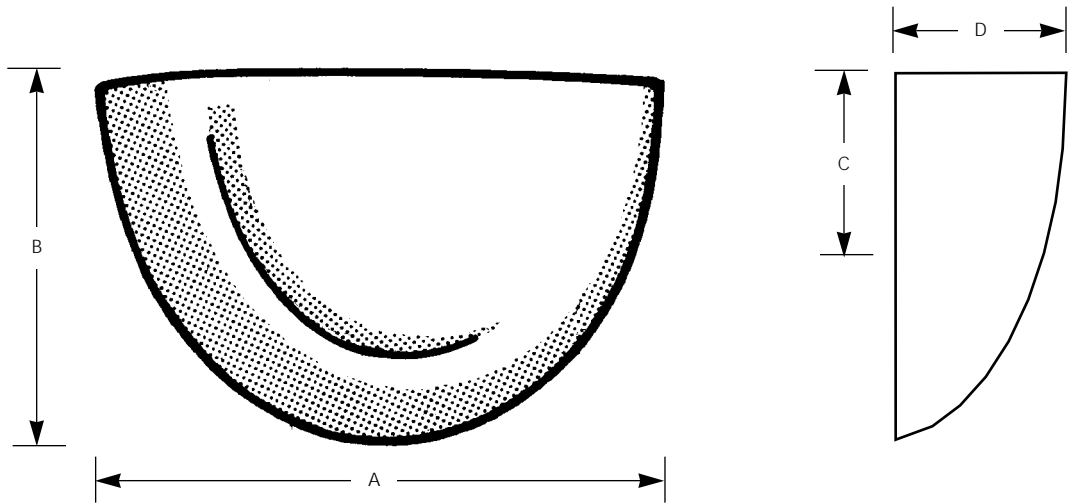


Type \_\_\_\_\_  
-60  
P7121

Catalog No.	Finish Opal White	Application	Dimensions (Inches)			
			A	B	C	D
P7121	-60	Use with wall box or back plate	16	8	3	3-3/4



**Specifications:**

General

- Opal white acrylic cloud wall pocket
- Direct-indirect illumination
- Complies with Americans with Disabilities Act
- Locks in place for safety
- Interchangeable with other wall pockets diffusers

Mounting

- Wall mounted
- Horizontal mounting
- Must be used with wall box or back plate. See P3TG, P4TG or P7200-30.

Electrical

- Refer to wall box or back plate

# P3 / 7121-60

Report No. 99164

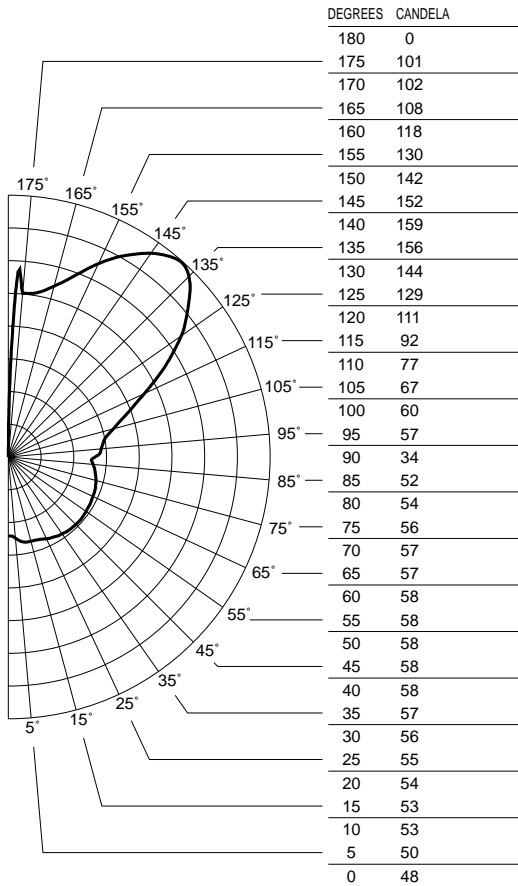
No. Lamps: 2 Type Lamp: CF13 TWIN SYLVANIA Total Lumens: 1800

Fixture Efficiency: 55.9%

S/MH Ratio: 1.8

## DISTRIBUTION CURVE

## INTENSITY DATA



## ZONAL COEFFICIENTS OF UTILIZATION

Effective Floor Cavity Reflectance 0.20

RC	80				70				50				30				10				0			
	RW	70	50	30	10	70	50	30	10	50	30	10	50	30	10	50	30	10	50	30	10	0		
0	58	58	58	58	52	52	52	52	42	42	42	32	32	32	24	24	24	20						
1	51	48	46	43	46	43	41	39	34	33	31	26	25	24	18	18	17	13						
2	46	41	37	34	41	37	34	31	29	27	25	22	20	19	15	14	13	10						
3	42	36	31	28	37	32	28	25	25	22	20	19	17	15	13	12	10	8						
4	38	31	26	23	34	28	24	21	22	19	17	17	14	12	11	10	9	6						
5	35	28	23	19	31	25	21	17	20	16	14	15	12	11	10	8	7	5						
6	32	25	20	16	28	22	18	15	17	14	12	13	11	9	9	7	6	4						
7	29	22	17	14	26	20	16	13	16	13	10	12	10	8	8	7	5	4						
8	27	20	15	12	24	18	14	11	14	11	9	11	8	7	7	6	5	3						
9	25	18	14	11	22	16	12	10	13	10	8	10	8	6	7	5	4	3						
10	23	16	12	9	21	15	11	9	12	9	7	9	7	5	6	5	4	2						

# P5 / P7121-60

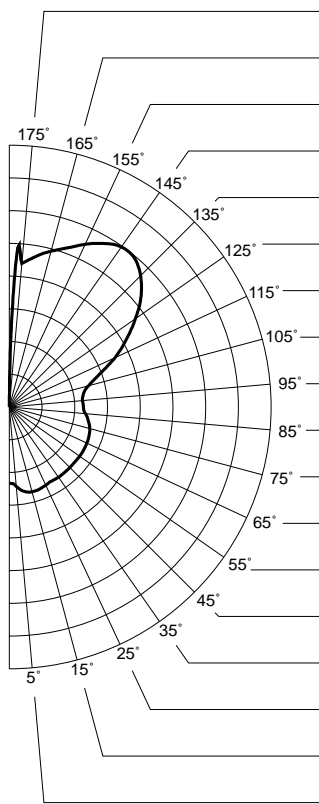
Report No. 99102

No. Lamps: 1 Type Lamp: CF26 TRIPLE SYLVANIA Total Lumens: 1800

Fixture Efficiency: 69.0%

S/MH Ratio: 1.7

## DISTRIBUTION CURVE



## INTENSITY DATA

DEGREES	CANDELA
180	0
175	132
170	140
165	148
160	155
155	165
150	173
145	179
140	178
135	170
130	158
125	141
120	124
115	107
110	88
105	75
100	69
95	67
90	68
85	70
80	74
75	76
70	78
65	78
60	79
55	79
50	78
45	79
40	79
35	79
30	78
25	79
20	80
15	81
10	79
5	73
0	70

## ZONAL COEFFICIENTS OF UTILIZATION

Effective Floor Cavity Reflectance 0.20

RC	80				70				50				30				10				0			
	RW	70	50	30	10	70	50	30	10	50	30	10	50	30	10	50	30	10	50	30	10	0		
0	72	72	72	72	66	66	66	66	53	53	53	42	42	42	32	32	32	27						
1	64	60	56	53	57	54	51	48	43	41	39	34	32	31	25	24	23	18						
2	57	51	46	42	51	46	42	38	37	34	31	28	26	24	21	19	17	14						
3	52	44	38	34	46	40	35	31	32	28	25	24	22	19	18	16	14	11						
4	47	39	33	28	42	35	30	26	28	24	21	21	18	16	15	13	11	9						
5	43	34	28	24	38	31	26	22	25	21	17	19	16	14	14	11	10	7						
6	39	30	24	20	35	27	22	18	22	18	15	17	14	12	12	10	8	6						
7	36	27	21	17	32	25	20	16	20	16	13	15	12	10	11	9	7	5						
8	33	25	19	15	30	22	17	14	18	14	11	14	11	9	10	8	6	5						
9	31	22	17	13	28	20	15	12	16	13	10	13	10	8	9	7	6	4						
10	29	20	15	12	26	19	14	11	15	11	9	12	9	7	9	6	5	4						

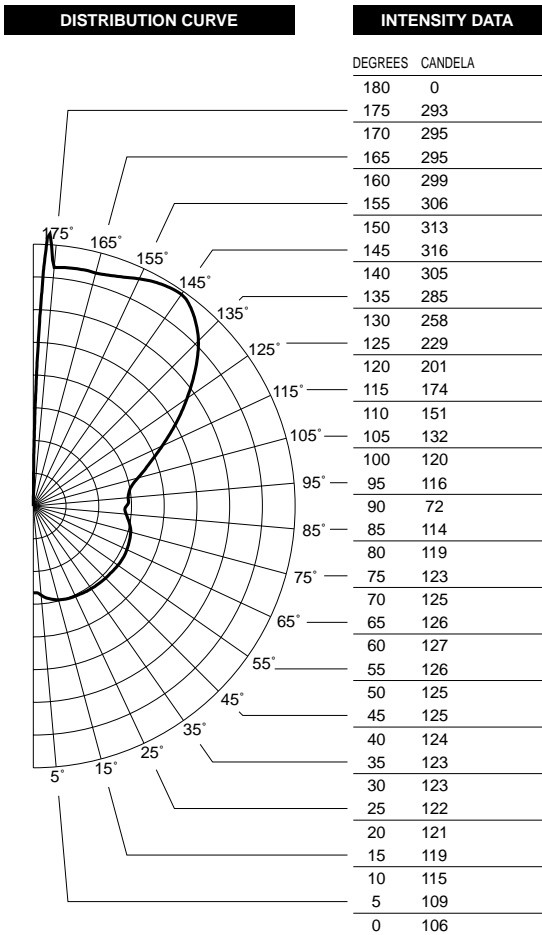
# P5 / P7121-60

Report No. 99126

No. Lamps: 1 Type Lamp: CF42 TRIPLE SYLVANIA Total Lumens: 3200

Fixture Efficiency: 65.1%

S/MH Ratio: 1.7



**ZONAL CAVITY COEFFICIENTS OF UTILIZATION**

Effective Floor Cavity Reflectance 0.20

RC	80				70				50				30				10				0			
	RW	70	50	30	10	70	50	30	10	50	30	10	50	30	10	50	30	10	50	30	10	0		
0	68	68	68	68	61	61	61	61	50	50	50	39	39	39	29	29	29	24						
1	60	56	53	50	54	51	48	46	41	38	37	31	30	28	22	21	20	16						
2	54	48	43	39	48	43	39	36	34	31	29	26	24	22	19	17	16	12						
3	49	42	36	32	43	37	33	29	30	26	23	23	20	18	16	14	13	9						
4	44	36	31	26	39	33	28	24	26	22	19	20	17	15	14	12	10	8						
5	40	32	26	22	36	29	24	20	23	19	16	17	15	12	12	10	9	6						
6	37	29	23	19	33	26	21	17	21	17	14	16	13	11	11	9	7	5						
7	34	26	20	16	30	23	18	15	18	15	12	14	11	9	10	8	6	5						
8	31	23	18	14	28	21	16	13	17	13	10	13	10	8	9	7	6	4						
9	29	21	16	12	26	19	14	11	15	12	9	12	9	7	8	6	5	3						
10	27	19	14	11	24	17	13	10	14	11	8	11	8	6	8	6	4	3						