



Incandescent

Clear Prismatic Glass

Pendant

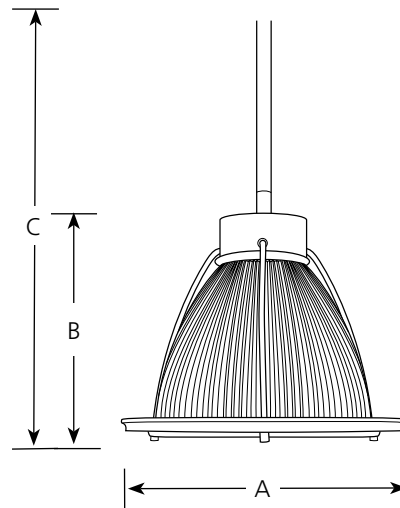
Type _____

-09

P5161

Finish

Catalog No.	Brushed Nickel	Lamping	Dimensions (Inches)		
			A	B	C
P5163	-09	1 (m) 100w	9	8-1/4	50



Specifications:

General

- Clear prismatic glass shade
- Three tubular arms attached to bottom ring support the glass
- Plated finish
- Steel construction
- Two 6", one 12", and one 15" matching stem sections supplied with concealed connectors
- Companion fixtures: P5182 and P5183 pendants, and the P6182 mini pendant in the IllumaFlex track line

Mounting

- Ceiling mount on stem
- Canopy Covers a standard 4" octagonal recessed outlet box
- Mounting strap for outlet box included

Electrical

- Pre-wired
- 10 feet of wire
- Ceramic medium based socket

Labeling

- UL-CUL listed

Progress Lighting
 701 Millennium Blvd.
 Greenville, South Carolina
 29607

www.progresslighting.com