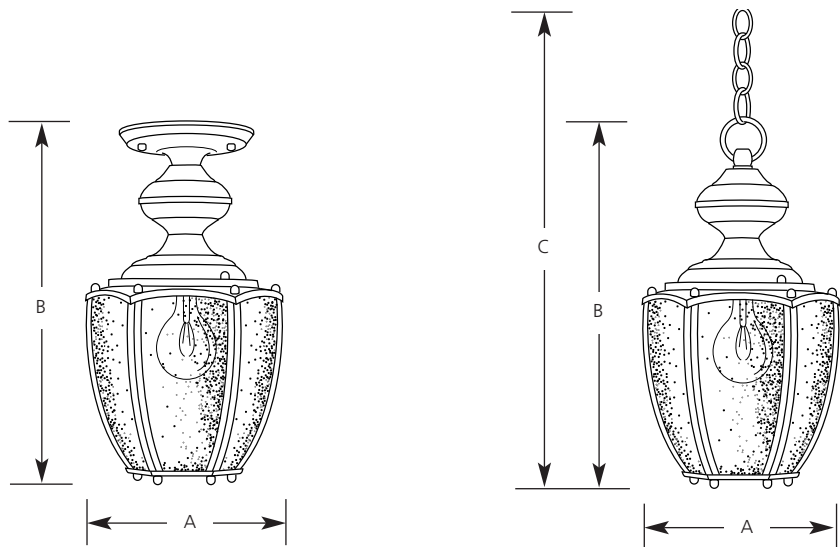


Type _____
 -19
 P5565

Catalog No.	Finish Roman Bronze	Lamping	Dimensions (Inches)		
			A	B	C
P5565	-19	1-100w A19	7	13	36



Specifications:

General

- Roman Bronze finish
- Clear seeded curved glass: 6-11/16" ht., 3" top width, 1-11/16" bottom width
- Convertible chain or ceiling mount
- All-brass construction

Electrical

- Medium based socket
- Porcelain with nickel-plated brass screw shell

Labeling

- UL-CUL damp location listed

Mounting

- Chain hung
- 23" brass chain finished to match fixture
- 10 feet of wire supplied
- Matching canopy with mounting strap for outlet box
- Covers standard outlet box
- Ceiling mount
- Covers outlet box and comes with mounting strap
- Canopy 5" dia.