

Type \_\_\_\_\_

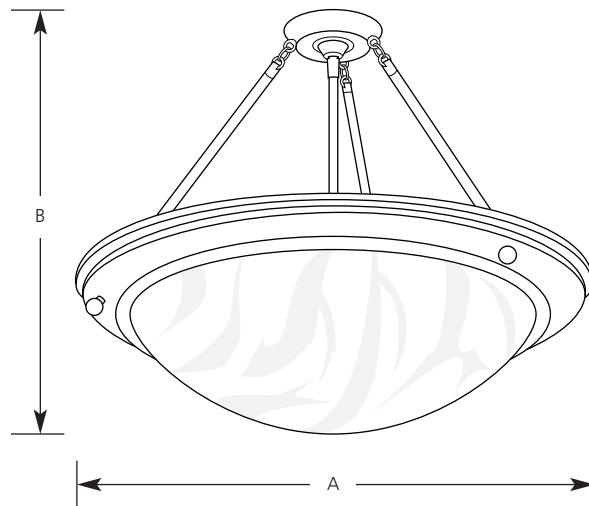
-33EB

P3492

P3493

P3494

Catalog No.	Finish Cobble- stone	Lamping	Dimensions (Inches)	
			A	B
P3492	-33EB	2-26w Quad CF (4-pin)	15-1/4	10-5/8
P3493	-33EB	3-26w Quad CF (4-pin)	19-3/8	13-1/4
P3494	-33EB	4-26w Quad CF (4-pin)	27-3/8	20-1/2



**Specifications:**

General

- Hand painted finish
- Easy re-lamping from above
- Electronic high power factor ballast
- 120V to 277V ballast
- Three stem supports fixture
- Faux Tiffany Art glass
- Companion fixtures: hall & foyer, sconce

Mounting

- Semi-Flush mount ceiling
- Covers outlet box
- Mounting strap for outlet box included
- Canopy 5-1/2" diameter

Electrical

- Electronic HPF 120V to 277V ballast
- Pre-wired
- G24q-3 base sockets

Labeling

- UL-CUL listed