



Incandescent

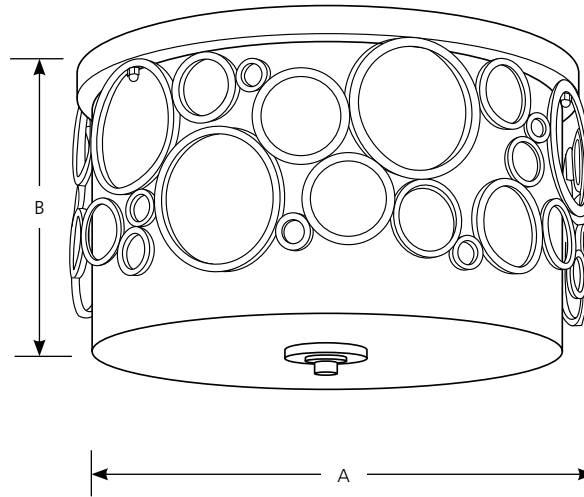
**Bingo**

**Close-To-Ceiling**

Type \_\_\_\_\_  
-09                      -74

P3752                           

Catalog No.	Finish		Lamping	Dimensions (Inches)	
	Brushed Nickel	Venetian Bronze		A	B
P3752	-09	-74	3 (m) 60w	14	8-3/8



**Specifications:**

General

- Opal etched glass shade: 12-13/16" dia., 6-3/4" ht.
- Plated Brushed Nickel (-09) finish
- Painted Venetian Bronze (-74) finish
- Steel construction
- Companion Chandelier, Close-to-ceiling, Pendant, Sconce, fixtures are available

Mounting

- Ceiling flush mount
- Ceiling pan covers a standard 4" hexagonal recessed outlet box
- Mounting strap for outlet box included

Electrical

- Medium base ceramic sockets
- Pre-wired

Labeling

- cCSAus Damp location listed

Progress Lighting  
701 Millennium Blvd.  
Greenville, South Carolina  
29607

www.progresslighting.com