



Compact  
Fluorescent Trim

**6" Flush Flat Albalite**  
2-Lamp Horizontal

Recessed

Type \_\_\_\_\_

-60

P8033

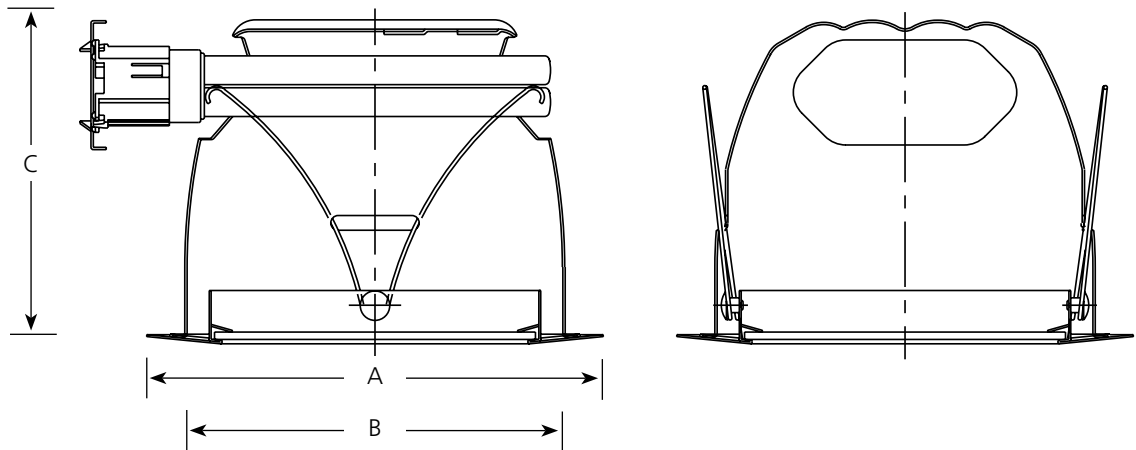
**Finish**

Catalog No.	Finish
P8033	-60

**Dimensions (Inches)**

A	B	C
7-3/4	6-3/8	5-7/16

Maximum Ceiling Thickness: 1-1/8"



**Lamp Wattage**

Housing	IC	Non-IC
P63-EB	N/A	2 13w Quad
P68-EB	N/A	2 18w Quad
P66-EB	N/A	2 26w Quad
P66-DM	N/A	2 26w Quad

**Specifications:**

Flange

- Bright white powdered painted metal flange

Trim

- All aluminum construction
- One piece conoid reflector with anodized clear finish
- No light leaks around trim flange
- Socket box mounts to trim for optimum performance, and consistent lamp position
- Trim retention accompanied by 3 spring clips located in aperture of housing
- Lens assembly with integral flange pulls positively to reflector with torsion springs

Lens

- White albalite glass
- Protects lamps from below ceiling
- Provides a broad, even distribution of light while minimizing visibility of lamp image

Labeling

- UL-CUL wet location listed
- Non-IC rated

Progress Lighting  
701 Millennium Blvd.  
Greenville, South Carolina  
29607

www.progresslighting.com



FireBox  
Compact  
Fluorescent Trim

**6" Pro-Optic FireBox Flush Flat Albalite  
2-Lamp Horizontal Firebox**

Recessed

Type \_\_\_\_\_  
-60FB  
P8033

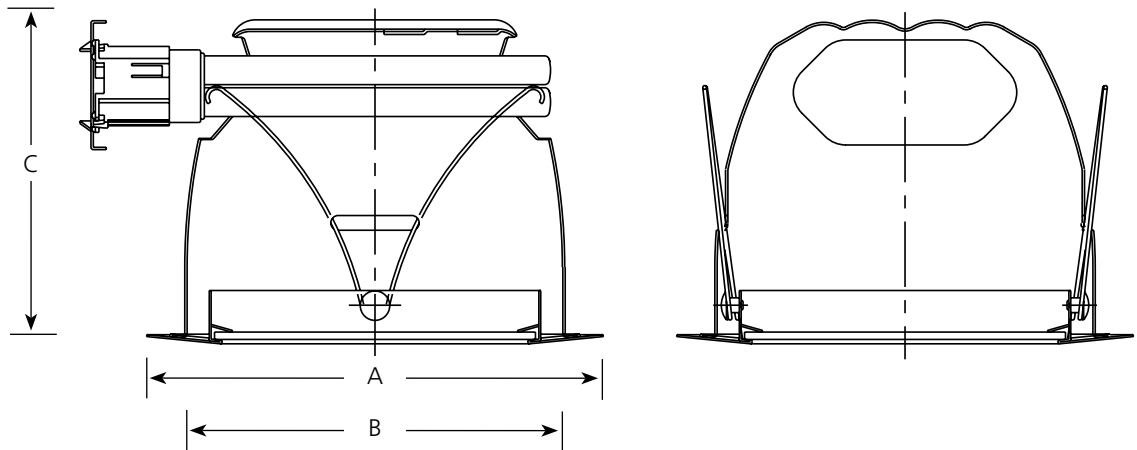
**Finish**

Catalog No.	Finish
P8033	-60FB

**Dimensions (Inches)**

A	B	C
7-3/4	6-3/8	5-7/16

Maximum Ceiling Thickness: 1-1/8"



**Lamp Wattage**

Housing	IC	Non-IC
P63-EBFB	N/A	2 13w Quad
P68-EBFB	N/A	2 18w Quad
P66-EBFB	N/A	2 26w Quad

**Specifications:**

Flange

- Bright white powdered painted metal flange

Trim

- All aluminum construction
- One piece conoid reflector with anodized clear finish
- No light leaks around trim flange
- Socket box mounts to trim for optimum performance, and consistent lamp position
- Trim retention accompanied by 3 spring clips located in aperture of housing
- Lens assembly with integral flange pulls positively to reflector with torsion springs

Lens

- White albalite glass
- Protects lamps from below ceiling
- Provides a broad, even distribution of light while minimizing visibility of lamp image

Labeling

- UL-CUL wet location listed
- Non-IC rated

Progress Lighting  
701 Millennium Blvd.  
Greenville, South Carolina  
29607

www.progresslighting.com  
Patent# 6,254,257



# P68-EBFB

## P68-EBFB WITH P8033-28

Report No. 99051

No. Lamps: 2 Type Lamp: 18W CF QUAD - GE Total Lumens: 2500

Fixture Efficiency: 10.0%

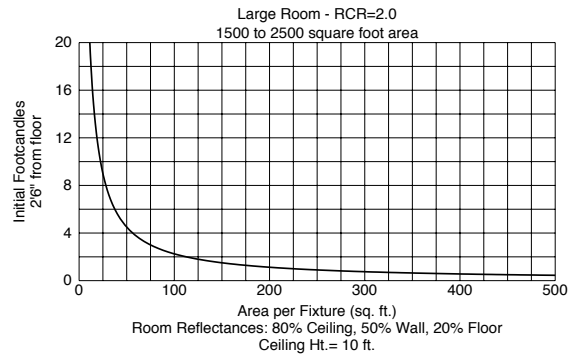
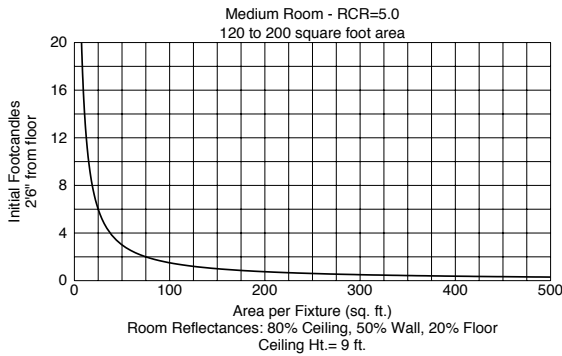
S/MH Ratio: 1.2 (0) 1.3 (90)

### Single Fixture Data

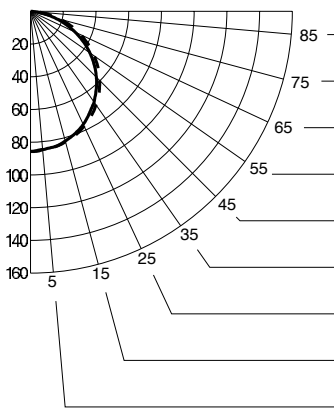
Ceiling Ht.(Ft.)	10% Values		Zero Degrees	50% Values	
	Beam Angle - 110			Beam Angle - 65	
	Ft.-C	Beam Dia.	Ft.-C	Ft.-C	Beam Dia.
8	0.3	16	2.8	1.4	7
10	0.2	22	1.5	0.8	9
12	0.1	27	0.9	0.5	12
14	0.1	33	0.6	0.3	15
16	0.0	39	0.5	0.2	17

Ft.-C (Footcandles) are initial and measured 2'-6" from floor

### Quick Calculator Charts



#### DISTRIBUTION CURVE



#### INTENSITY DATA

DEGREES	CANDELA	
	AT 0°	AT 90°
90	0	0
85	3	6
80	8	12
75	15	19
70	23	27
65	30	34
60	37	41
55	44	48
50	51	54
45	57	60
40	62	65
35	68	70
30	72	74
25	76	77
20	80	80
15	82	83
10	84	84
5	85	85
0	86	86

#### ZONAL CAVITY COEFFICIENTS OF UTILIZATION

Effective Floor Cavity Reflectance 0.20

RC	Effective Floor Cavity Reflectance 0.20														
	80		70		50		30		10		0				
RW	70	50	30	10	70	50	30	10	50	30	10	50	30	10	0
0	12	12	12	12	12	12	12	12	11	11	11	11	11	11	10
1	11	10	10	10	11	10	10	9	10	9	9	9	9	9	9
2	10	9	8	8	10	9	8	8	8	8	7	8	8	7	7
3	9	8	7	6	9	8	7	6	7	7	6	7	7	6	6
4	8	7	6	5	8	7	6	5	7	6	5	6	6	5	5
5	8	6	5	5	7	6	5	5	6	5	5	6	5	5	4
6	7	6	5	4	7	5	5	4	5	5	4	5	4	4	4
7	6	5	4	4	6	5	4	4	5	4	4	5	4	3	3
8	6	5	4	3	6	5	4	3	4	4	3	4	4	3	3
9	6	4	3	3	5	4	3	3	4	3	3	4	3	3	3
10	5	4	3	3	5	4	3	3	4	3	3	4	3	3	2