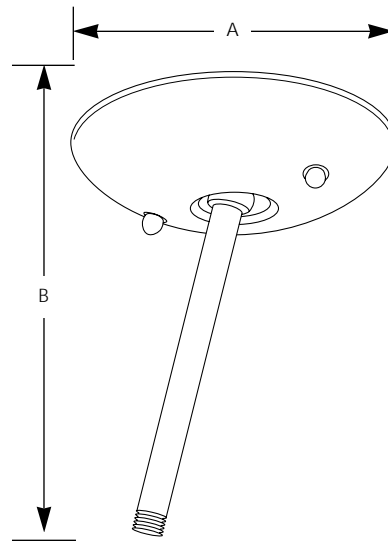


		Type					
		-10	-13	-18	-27	-30	-57
P8624	<input type="checkbox"/>	<input type="checkbox"/>	<input type="checkbox"/>	<input type="checkbox"/>	<input type="checkbox"/>	<input type="checkbox"/>	<input type="checkbox"/>

Catalog No.	Finish						Lamping	Dimensions (Inches)	
	Polished Brass	Brushed Steel	Venet. Gold	Golden Umber	Txd. White	Copper Verde		A	B
P8624	-10	-13	-18	-27	-30	-57	N/A	5-1/4	54



**Specifications:**

General

- Steel construction
- Die-cast aluminum swivel ball
- Includes (1) 30" stem and (2) 12" stems
- Adapts cord or chain-hung pendants utilizing 1/8IP internal thread to stem hung
- For sloped ceilings up to 45 degrees
- Hand painted finishes (-18, -27, -57)
- Plated finishes (-10, -13)

Mounting

- Ceiling mount
- Covers outlet box
- Mounting strap for outlet box included

Electrical

- Accepts SVT cord, but will not accept SJT cord, when converting cord-hung pendants to stem-hung

Labeling

- Not applicable