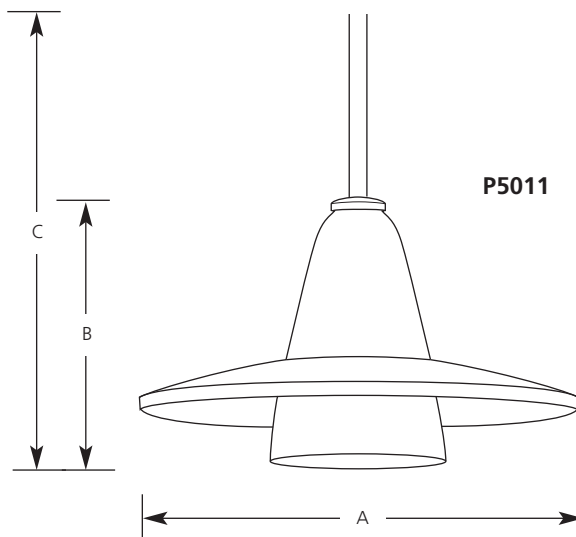


Type _____
 -09
 P5011
 P5012

Catalog No.	Finish Brushed Nickel	Lamping	Dimensions (Inches)		
			A	B	C
P5011	-09	1 (m) 100w	12	7-5/8	62
P5012	-09	1 (m) 150w	20	7-5/8	62



Specifications:

General

- 3/8" thick bent clear glass disk
- Etched glass cone: 5" dia., 7/8" " ID fitter, 1-1/4" OD fitter, 4-1/4" dia. above shade
 P5011: 12" OD. x 1-3/8" ht., 4-5/16" ID hole
 P5012: 20" OD. x 1-3/4" ht., 4-5/16" ID hole
- Clear glass disk unique edge light effect
- Unique contemporary styling
- Two sizes of companion pendants

Mounting

- Stem mount (2) 15" & (2) 12"
- Canopy 5-1/2" dia.
- Covers outlet box
- Mounting strap for outlet box included

Electrical

- Ceramic medium base socket
- 90° hang straight swivel
- 10 feet of wire
- Pre-wired

Labeling

- UL-CUL listed