



LED

**Montreux LED
Everlume**

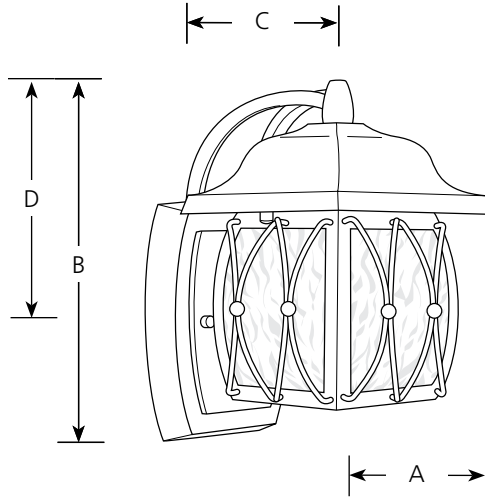
Outdoor

Type _____

-20

P5614

Catalog No	Finish	Lamping	Dimensions (Inches)			
	Antique Bronze		A	B	C	D
P5614	-20	1-5w LED (included)	6	9-1/4	7-1/2	6-1/8



Specifications:

General

- Square country manor styling with roof
- Clear distressed glass panels: 3-7/8" w x 4-3/8" ht.
- Curved wire details over glass panels
- Cast aluminum construction
- Painted or acid antique bronze finish

Mounting

- Wall mount
- Square wall canopy covers a standard recessed 4" octagonal outlet box
- Backplate: 4-5/8" x 6-1/4" x 1"
- Mounting strap for outlet box included.


Lamping

- LED (Light Emitting Diode) Lamp included
- LED module is replaceable
- Consumes 5 watts
- 3000K color temperature
- 200 Lumens
- CRI: 76
- 30,000+ hrs life
- Lamp contains no mercury, meets Calif. Title 22

Electrical

- Built in transformer
- Pre-wired

Labeling

-  wet location listed

Progress Lighting
701 Millennium Blvd.
Greenville, South Carolina
29607

www.progresslighting.com

Rev. 3/09