



Compact Fluorescent

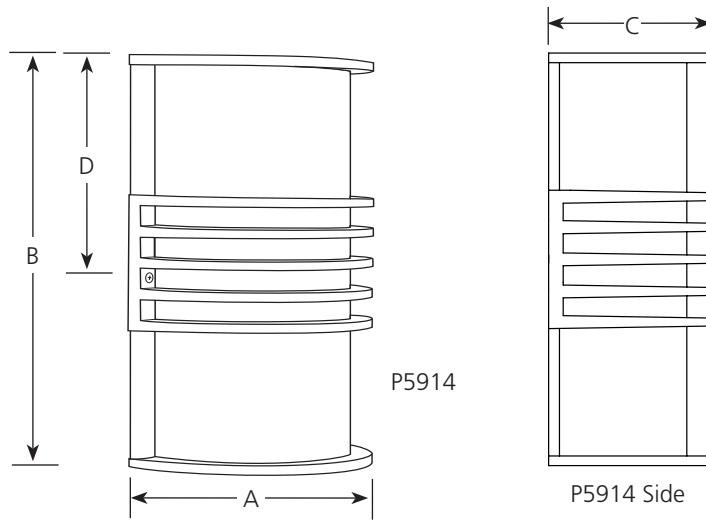
Parker
Title 24
ADA

Outdoor

Type	_____	
	-16	-20
P5914	<input type="checkbox"/>	<input type="checkbox"/>
P5915	<input type="checkbox"/>	<input type="checkbox"/>

Finish

Catalog No.	Finish		Lamping	Dimensions (Inches)			
	Satin Aluminum	Antique Bronze		A	B	C	D
P5914	-16	-20	1-26w CFL	5-3/8	10-1/4	4	5
P5915	-16	-20	2-26W CFL	5-3/8	16-7/8	4	8-3/8



Specifications:

General

- White acrylic half cylinder diffusers:
For P5914 - 4-1/4" W x 10" L x 3-1/8" T
For P5915 - 4-1/4" W x 11-3/4" L x 3-1/8" T
- Die cast aluminum accents top, middle, bottom, and sides
- Top and bottom closures can be removed for indoor use with up and down lighting
- Indoor or outdoor (with top and bottom closures in place)
- Lamps (by others) are 26 watt spiral CFL's with a GU24 base
- Painted Satin Aluminum (-16), or Antique Bronze (-20) finish

- Back plate is white painted steel
- Title 24 compliant
- ADA (American with Disabilities Act) compliant

Mounting

- Wall mounted, vertical or horizontal
- Back plate covers a standard 4" hexagonal recessed outlet box
- Mounting strap for outlet box included

Electrical

- GU24 base socket
- Pre-wired

Labeling

- listed
- Wet location listed (only with top and bottom closures in place)

Progress Lighting
701 Millennium Blvd.
Greenville, South Carolina
29607