



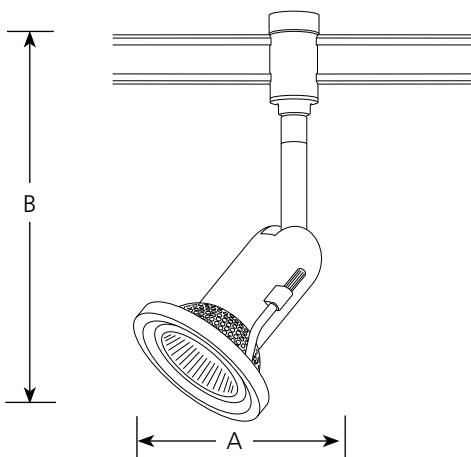
Incandescent
Halogen

Illuma-Flex® Track Head
Gimbal Ring Low Voltage

Track

Type _____
P6125 -09A

Catalog No.	Finish	Lamping	Dimensions (Inches)	
	Brushed Nickel		A	B
P6125	-09	12v 50w MR16(Incl)	2-3/4	7-1/4



Specifications:

General

- Flex track holder with fixed gimbal ring and mesh shade
- Brushed nickel plated finish
- 50w MR 16 lamp included
- Mounts anywhere along Illuma-Flex track sections

Track Head Support

- Single stem mounting
- 358 degree rotation
- 0 to 90 degree vertical swing

Electrical

- Attaches to 12 volt Illuma-Flex track
- Remove top cap, slide onto track from below, replace cap and tighten to clamp unit to track

- Lamp (included) has a GU5.3 bi-pin base

Labeling

- UL-CUL listed

Progress Lighting
701 Millennium Blvd.
Greenville, South Carolina
29607

www.progresslighting.com