



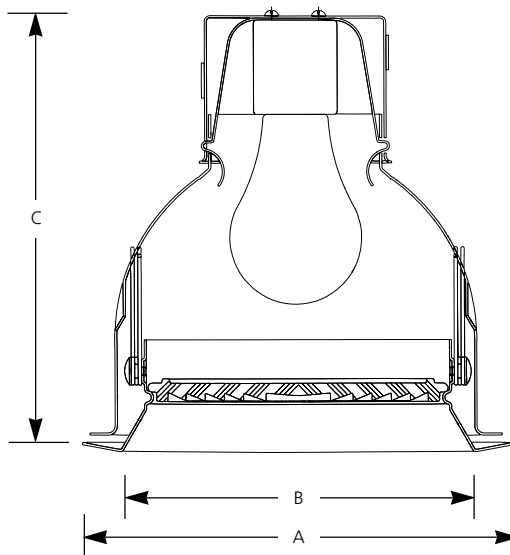
Incandescent Trim

**6" Fresnel Lens
Non-IC**

Recessed

Type _____
-83
P6691

Catalog No.	Finish White	Dimensions (Inches)		
		A	B	C
P6691	-83	7-7/16	8-1/4	7-3/4



<u>Lamp Wattage</u>		
<u>Housing</u>	IC	Non-IC
P111TG	N/A	100A19
P111TG	N/A	100A19

Specifications:

Lens/Trim

- Clear glass Fresnel lens captive to trim
- Held in place with two torsion springs that lock into the inner reflector
- Bright white powder coat finish

Labels

- UL-CUL wet location listed

Reflector

- Full aluminum inner reflector
- Retention clips on housing secure reflector snugly against ceiling line
- Designed for use with a 100w A19 lamp maximum
- Socket cup mounts to reflector for optimum performance and consistent lamp position

Progress Lighting
Post Office Box 5704
Spartanburg, South Carolina
29304-5704

www.progresslighting.com

Rev. 3/01



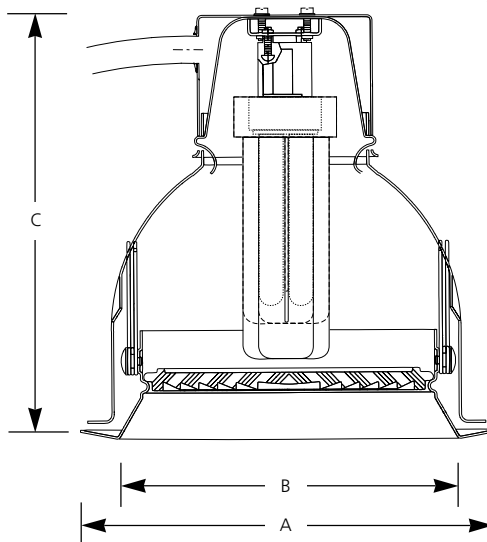
Compact Fluorescent

**6" Fresnel Lens
Vertical Lamp
Non-IC**

Recessed

Type _____
-83
P6691

Catalog No.	Finish White	Dimensions (Inches)		
		A	B	C
P6691	-83	7-5/8	6-5/16	8-1/4



Lamp Wattage

Housing	IC	Non-IC
P13	N/A	13 Quad
P632-EB	N/A	26 or 32 Triple Tube

Specifications:

Lens/Trim

- Clear glass Fresnel lens captive to trim
- Held in place with two torsion springs that lock into the inner reflector
- Bright white powder coat finish

Labels

- UL-CUL wet location listed
- Meets Energy Star requirements when used with P632-EB housing

Reflector

- Full aluminum inner reflector
- Retention clips on housing secure reflector snugly against ceiling line
- Designed for use with 13w Quad and 26 or 32w Triple tube lamps
- Socket cup mounts to reflector for optimum performance and consistent lamp position



Progress Lighting
Post Office Box 5704
Spartanburg, South Carolina
29304-5704

www.progresslighting.com

Rev. 3/01

