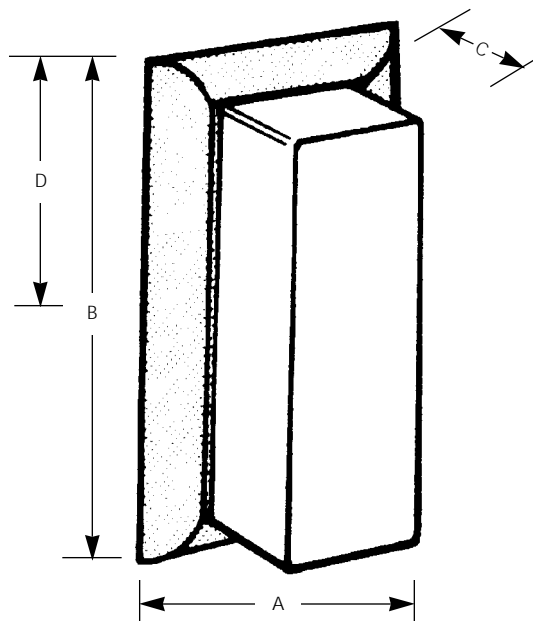


Type \_\_\_\_\_

	-10	-30
P7110	<input type="checkbox"/>	<input type="checkbox"/>
P7111	<input type="checkbox"/>	<input type="checkbox"/>

Catalog No.	Finish		Lamping	Dimensions (Inches)			
	Polished Brass	White		A	B	C	D
P7110	N/A	-30	1-13w Twin CF	4-1/2	12	4	6-1/4
P7111	-10	-30	2-13w Twin CF	7-1/2	12	4	6-1/4



**Specifications:**

General

- White acrylic shatter-resistant diffuser
- Brass (-10) trim on P7111
- White (-30) trim on both
- Diffuser secured to backplate with a single locking screw
- White steel backplate
- Complies with "Americans with Disabilities Act" - ADA

Electrical

- 120V NPF ballast standard. For HPF, consult factory
- GX23 base lamps
- Pre-wired

Labeling

- UL-CUL listed

Mounting

- Wall mount
- Mounts directly to a standard switch outlet box
- Mounts to center hole of outlet box cover (supplied by others) when standard outlet box is used