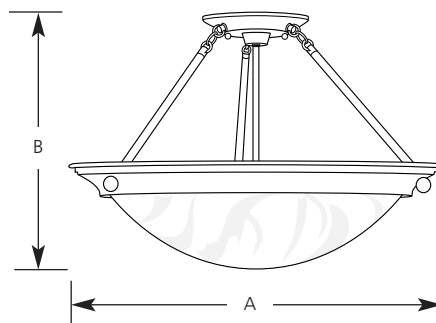


Type \_\_\_\_\_  
 -33EBWB  
 P7319   
 P7320

Catalog No.	Finish Cobble- stone	Lamping	Dimensions (Inches)	
			A	B
P7319	-33EBWB	3 26w Quad 4-pin (Included)	19-3/8	13-1/4
P7320	-33EBWB	4 26w Quad 4-pin (Included)	27-3/8	20-1/2



**Specifications:**

General

- Faux Tiffany Art glass
- Semi-flush design
- Cobblestone painted finish
- Units comply with Energy Star requirements
- Ideal for 9-foot ceilings or higher
- Complete with 26 watt quad compact fluorescent lamps
- Steel construction
- Companion foyer, flush mount and wall sconce

Mounting

- Ceiling mount
- 5-1/2" dia. canopy covers a standard 4" octagonal recessed outlet box
- Mounting strap for outlet box included

Electrical

- 120v NPF electronic ballast
- G24q-3 sockets
- Pre-wired

Labeling

- UL-CUL "Damp Location" listed

