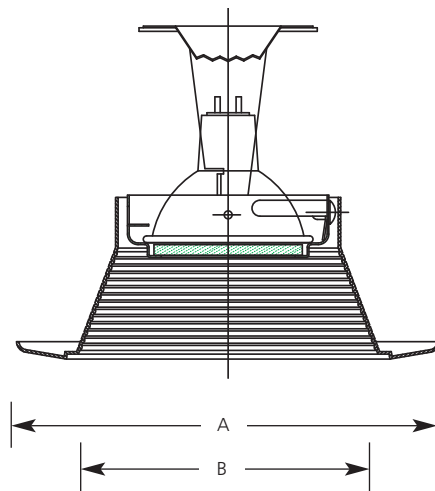
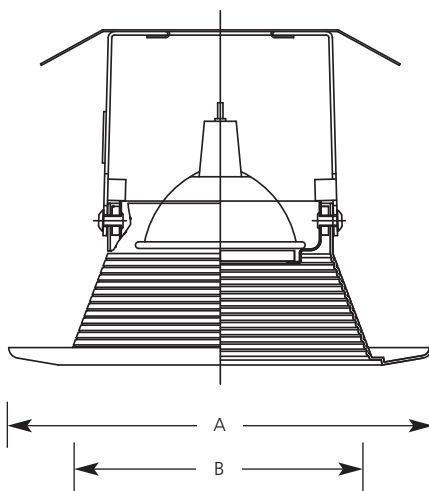


	Type _____				
	-09	-20	-28	-31	-36
P8037	<input type="checkbox"/>	<input type="checkbox"/>	<input type="checkbox"/>	<input type="checkbox"/>	<input type="checkbox"/>

Catalog No.	Finish					Dimensions (Inches)	
	Brushed Nickel	Antique Bronze	White	Black	Chestnut	A	B
P8037	-09	-20	-28	-31	-36	5	3-1/2



Lamp Wattage

Housing	IC	Non-IC
P817-AT	50MR16	50MR16
P816-TG	N/A	50MR16
P818-TG	N/A	50MR16

Specifications:

Flange

- White powder coated flange on white (-28) and black (-31) trims
- Brushed nickel (-09), antique bronze (-20), and chestnut (-36) have unpainted flanges that match the baffle finish
- No light leaks around trim flange
- Covers irregular ceiling openings

Trim

- Push-in leaf spring action forces trim to fit snugly against the ceiling
- Lamp tilt 30 degrees, 360 degree positioning

Options

- White (-28), black (-31), or chestnut (-36) painted finishes
- Brushed nickel (-09) or antique bronze (-20) plated finishes

Labels

- UL-CUL damp location

Photometrics

- Refer to MR16 Lamp Application Data