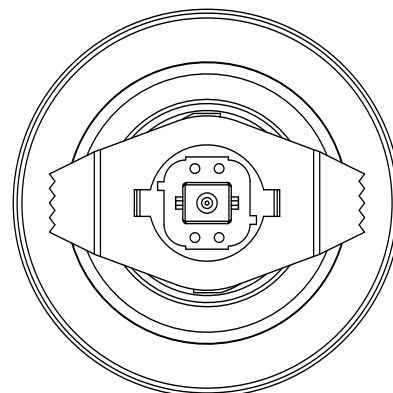
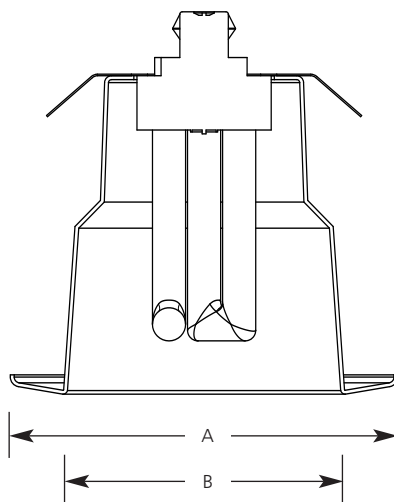


Type \_\_\_\_\_  
 -28 -21 -22 -09  
 P8145

Catalog No.	Finish				Dimensions (Inches)	
	White	Clear Anodized	Gold Anodized	Brushed Nickel	A	B
P8145	-28	-21	-22	-09	5	3-1/2



**Lamp Wattage**

Housing	IC	Non-IC
P830-13ICAT	13w 4-Pin Triple tube CF	Same as IC
P830-18ICAT	18w 4-Pin Triple tube CF	Same as IC

**Specifications:**

Flange

- Brite white powdered painted metal flange for -28 finish
- Anodized specular Finish for -21 and -22
- Flange is brushed nickel for -09 finish
- No light leaks around trim flange
- Covers irregular ceiling openings

Trim

- One piece aluminum construction
- Push-in leaf spring installation
- Socket mounts to trim for optimum performance and consistent lamp position
- Patented "Hurricane" leaf spring allows ease of trim removal by rotating counter-clockwise

Options

- White open - specify "-28" after catalog number
- Anodized clear open - specify "-21" after catalog number
- Anodized gold open - specify "-22" after catalog number
- Brushed Nickel open - specify "-09" after catalog number

Labels

- UL-CUL damp location

# P830-18ICAT/P8145-28

## 4" RECESSED/DOWNLIGHT

Report No. 1620

No. Lamps: 1 Type Lamp: 1-CF18DT/E/IN/841 SYLVAN Total Lumens: 1200

Fixture Efficiency: 42.1%

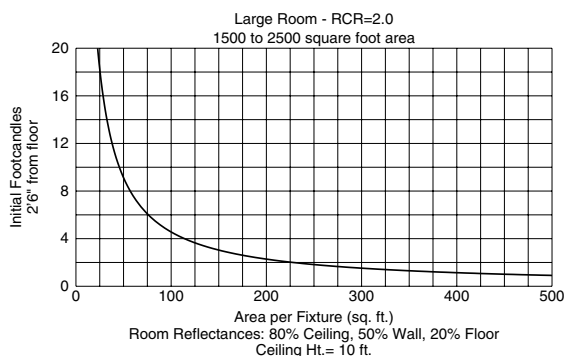
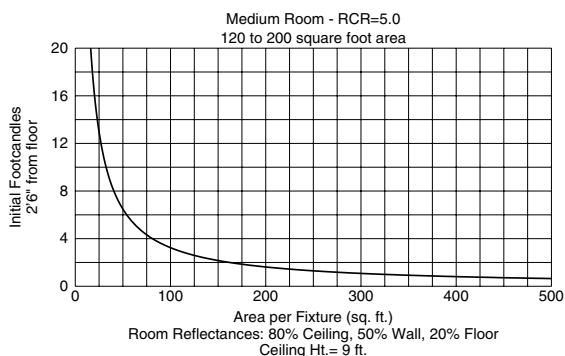
S/MH Ratio: 1.6

### Single Fixture Data

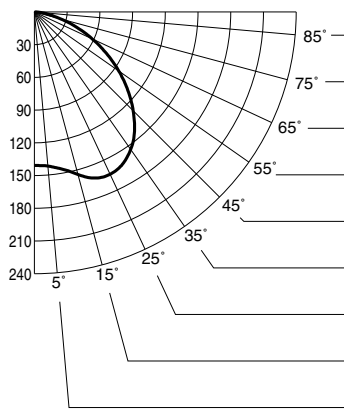
Ceiling Ht.(Ft.)	10% Values		Zero Degrees	50% Values	
	Beam Angle - 114°			Beam Angle - 77°	
	Ft.-C	Beam Dia.		Ft.-C	Beam Dia.
8	0.5	17	4.7	2.3	9
10	0.3	23	2.5	1.3	12
12	0.2	29	1.6	0.8	15
14	0.1	35	1.1	0.5	18
16	0.1	42	0.8	0.4	21

Ft.-C (Footcandles) are initial and measured 2'-6" from floor

### Quick Calculator Charts



#### DISTRIBUTION CURVE



#### INTENSITY DATA

DEGREES	CANDELA
90	1
85	6
80	13
75	25
70	42
65	59
60	76
55	95
50	112
45	128
40	143
35	154
30	161
25	164
20	162
15	154
10	146
5	142
0	141

#### ZONAL CAVITY COEFFICIENTS OF UTILIZATION

Effective Floor Cavity Reflectance 0.20

RC	Effective Floor Cavity Reflectance 0.20																						
	80				70				50				30				10				0		
RW	70	50	30	10	70	50	30	10	50	30	10	50	30	10	50	30	10	50	30	10	0		
0	50	50	50	50	49	49	49	49	47	47	47	45	45	45	43	43	43	42					
1	46	44	42	41	45	43	41	40	41	40	39	40	39	38	38	37	36	36					
2	42	38	36	33	41	38	35	33	36	34	32	35	33	31	34	32	31	30					
3	38	34	30	28	37	33	30	27	32	29	27	31	28	26	30	28	26	25					
4	35	30	26	23	34	29	26	23	28	25	23	27	25	23	26	24	22	21					
5	32	27	23	20	31	26	23	20	25	22	20	24	22	20	24	21	19	18					
6	30	24	20	17	29	24	20	17	23	20	17	22	19	17	21	19	17	16					
7	27	22	18	15	27	21	18	15	21	18	15	20	17	15	19	17	15	14					
8	25	20	16	14	25	19	16	14	19	16	14	18	15	13	18	15	13	13					
9	24	18	15	12	23	18	14	12	17	14	12	17	14	12	16	14	12	11					
10	22	17	13	11	22	16	13	11	16	13	11	16	13	11	15	13	11	10					



# P830-18ICAT/P8145-21

## 4" RECESSED/DOWNLIGHT

Report No. 1621

No. Lamps: 1 Type Lamp: 1-CF18DT/E/IN/841 SYLVAN Total Lumens: 1200

Fixture Efficiency: 54.9%

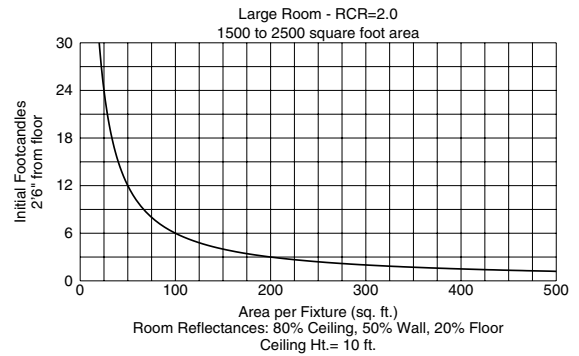
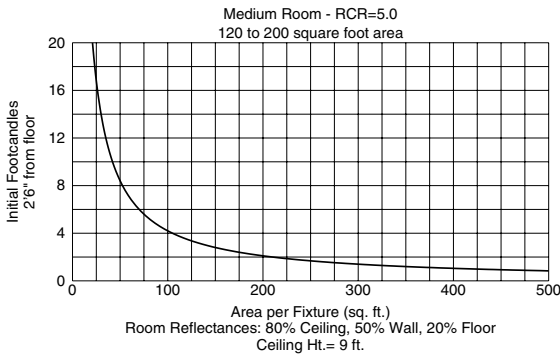
S/MH Ratio: 1.3

### Single Fixture Data

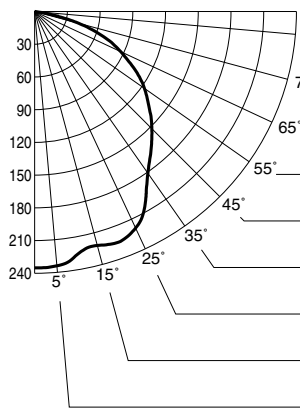
Ceiling Ht.(Ft.)	10% Values		Zero Degrees	50% Values	
	Beam Angle - 110°			Beam Angle - 64°	
	Ft.-C	Beam Dia.		Ft.-C	Beam Dia.
8	0.8	16	7.8	3.9	7
10	0.4	21	4.2	2.1	9
12	0.3	27	2.6	1.3	12
14	0.2	33	1.8	0.9	14
16	0.1	38	1.3	0.6	17

Ft.-C (Footcandles) are initial and measured 2'-6" from floor

### Quick Calculator Charts



### DISTRIBUTION CURVE



### INTENSITY DATA

DEGREES	CANDELA
90	0
85	0
80	13
75	42
70	67
65	87
60	106
55	123
50	137
45	152
40	166
35	181
30	203
25	219
20	225
15	222
10	226
5	234
0	235

### ZONAL COEFFICIENTS OF UTILIZATION

Effective Floor Cavity Reflectance 0.20

RC	Effective Floor Cavity Reflectance 0.20																				
	80				70				50				30				10				0
RW	70	50	30	10	70	50	30	10	50	30	10	50	30	10	50	30	10	50	30	10	0
0	65	65	65	65	64	64	64	64	61	61	61	58	58	58	56	56	56	55	55	55	55
1	60	57	55	53	58	56	54	52	54	52	51	52	50	49	50	49	48	47	47	47	47
2	55	50	46	43	53	49	46	43	47	44	42	45	43	41	44	42	40	39	39	39	39
3	50	44	40	36	48	43	39	36	41	38	35	40	37	34	39	36	34	33	33	33	33
4	45	39	34	30	44	38	34	30	37	33	30	36	32	29	34	31	29	28	28	28	28
5	42	35	30	26	41	34	30	26	33	29	26	32	28	25	31	28	25	24	24	24	24
6	39	31	26	23	38	31	26	23	30	26	23	29	25	22	28	25	22	21	21	21	21
7	36	28	24	20	35	28	23	20	27	23	20	26	23	20	26	22	20	19	19	19	19
8	33	26	21	18	32	25	21	18	25	21	18	24	20	18	23	20	18	17	17	17	17
9	31	24	19	16	30	23	19	16	23	19	16	22	19	16	22	18	16	15	15	15	15
10	29	22	18	15	28	22	17	15	21	17	15	21	17	14	20	17	14	13	13	13	13