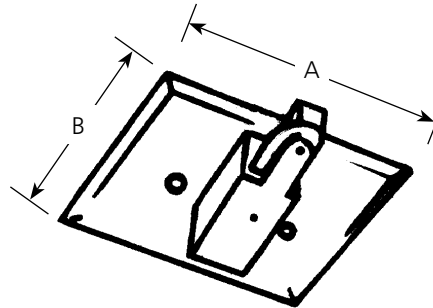




**Alpha Trak
Track Accessories**

Track

Catalog No.	Finish			Type			Dimensions (Inches)	
	Brushed Nickel	White	Black	-09	-28	-31	A	B
	P8745	-09	-28	-31	<input type="checkbox"/>	<input type="checkbox"/>	<input type="checkbox"/>	4-1/2



Specifications:

General

- End feed with flush canopy.