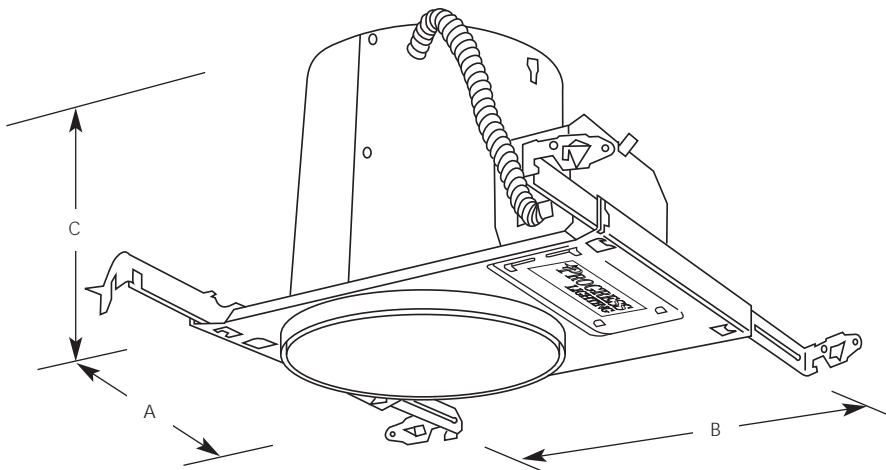


Type _____

P87-AT

Catalog No.	Lamping	Dimensions (Inches)		
		A	B	C
P87-AT	See Trim Specifications	7-7/8	10-3/4	7-1/2
		Ceiling Opening 6-7/8		



Specifications:

Wiring

- Universal junction box with snap-out sides
- Removable housing for field inspection of wiring
- Grounding pigtail
- Knockout free Romex clamps
- 1/2" & 3/4" Knock outs for rigid or BX fittings

Construction

- Housing adjusts from 1/2" to 2-1/2" for thick ceilings
- Full wrap-around plaster frame
- Removable K.O. for remodel use (P8607-01 plaster frame clips also required)
- Galvanized steel construction
- Porcelain socket with nickel-plated brass screw shell
- Notched housing for chalkline alignment
- Overspray protection
- Socket can be used as a temporary work light with 'A' lamp

Bar Hangers

- Integral nailers for wood joist construction
- Integral T-bar mounting clamps
- Span 24" T-bar spacing
- Lock to secure housing
- Captive
- 90-degree mounting for tight spaces

Labeling

- IC and Non-IC rated
- Complies with Washing State Energy Code (WSEC) requirement for air tight
- UL-CUL listed for damp location and through branch wiring
- Approved for use in New York City per calendar #40330.

Lamp/Trim

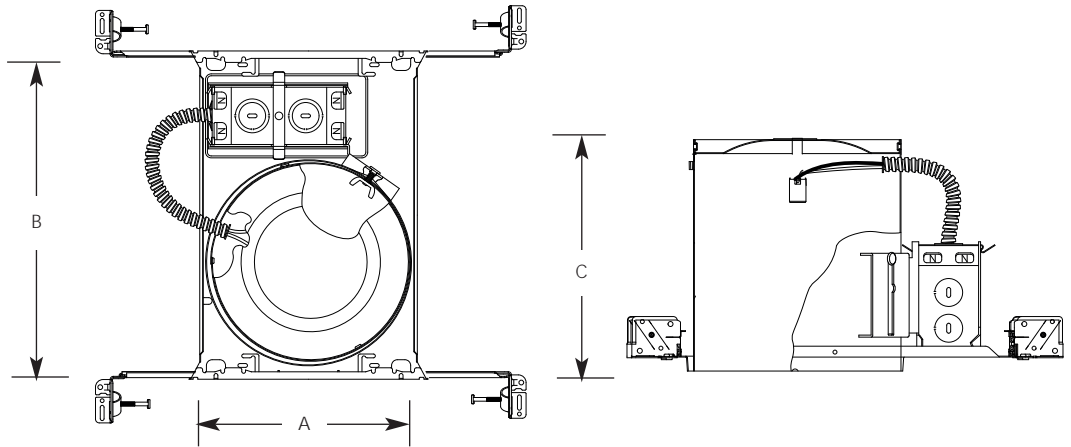
- Socket mounts to trim for optimum performance and consistent lamp position
- Trim-Lok® action forces trim to fit snugly against the ceiling

Rev. 2/06

Type _____
P87-ATQL

EVERLUME™
LED LIGHTING

Catalog No.	Lamping	Dimensions (Inches)		
		A	B	C
P87-ATQL	See Trim Specifications	7-7/8	10-3/4	7-1/2
			Ceiling Opening 6-7/8	



Title 24 Lighting

Specifications:

Wiring

- Universal junction box with snap-out sides
- Removable housing for field inspection of wiring
- Grounding pigtail
- Knockout free Romex clamps
- 1/2" & 3/4" Knock outs for rigid or BX fittings
- Pre-Installed wire quick connects
- Thru-branch wiring for #12 90° conductors (4 in/4 out)

Construction

- Toolless adjustment for 1/2" to 2-1/2" for thick ceilings
- Full wrap-around plaster frame
- Removable K.O. for remodel use (P8607-01 plaster frame clips also required)
- Galvanized steel construction
- Notched housing for chalkline alignment
- Quick connector allows easy electrical connection with trim

Bar Hangers

- Integral nailers for wood joist construction
- Integral T-bar mounting clamps
- Span 24" T-bar spacing
- Lock to secure housing
- Captive
- 90-degree mounting for tight spaces

Labeling/Compliance

- IC and Non-IC rated
- Complies with Washing State Energy Code (WSEC) requirement for air tight
- UL-CUL listed for damp location and through branch wiring
- Approved for use in New York City per calendar #40330.
- Complies with California Title 24

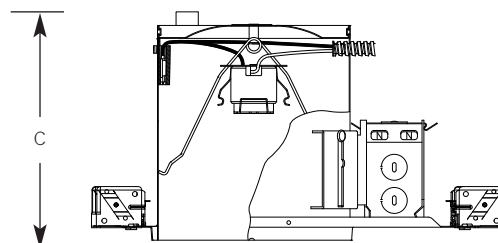
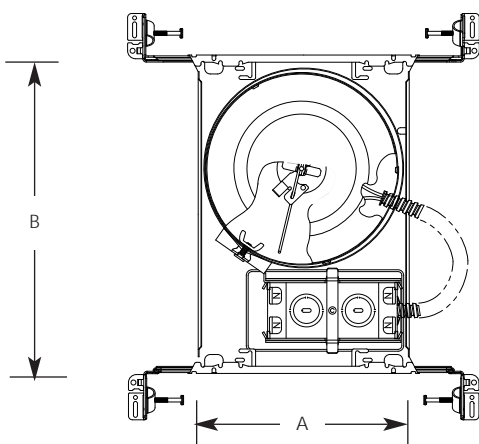
Trim

- Trim-Lok® action forces trim to fit snugly against the ceiling
- Use only with Everlume LED quick link trims designated with "QL" in the sku number

Type _____

P87-ATQC

Catalog No.	Lamping	Dimensions (Inches)		
		A	B	C
P87-ATQC	See Trim Specifications	7-7/8	10-3/4	7-1/2
			Ceiling Opening 6-7/8	



Specifications:

Wiring

- Universal junction box with snap-out sides
- Removable housing for field inspection of wiring
- Grounding pigtail
- Knockout free Romex clamps
- 1/2" & 3/4" Knock outs for rigid or BX fittings
- Pre-Installed wire quick connects
- Thru-branch wiring for #12 90° conductors (4 in/4 out)

Construction

- Toolless adjustment for 1/2" to 2-1/2" for thick ceilings
- Full wrap-around plaster frame
- Removable K.O. for remodel use (P8607-01 plaster frame clips also required)
- Galvanized steel construction
- Porcelain socket with nickel-plated brass screw shell
- Notched housing for chalkline alignment
- Pre-installed disposable plastic cap protects socket screw shell from paint overspray
- Socket can be used as a temporary work light with 'A' lamp

Bar Hangers

- Integral 1/2 ga. fluted nail for wood joist construction
- Integral snap-on T-bar mounting clip
- Rigid male/female design span 24" for suspended ceilings
- Lock to secure housing
- Captive with extensive stop tab
- 90-degree mounting for tight spaces
- Joint alignment tab

Labeling

- IC and Non-IC rated
- Complies with Washing State Energy Code (WSEC) requirement for air tight
- UL-CUL listed for damp location and through branch wiring
- Approved for use in New York City per calendar #40330.

Lamp/Trim

- Socket mounts to trim for optimum performance, and provides consistent vertical lamp position
- Trim-Lok® action forces trim to fit snugly against the ceiling