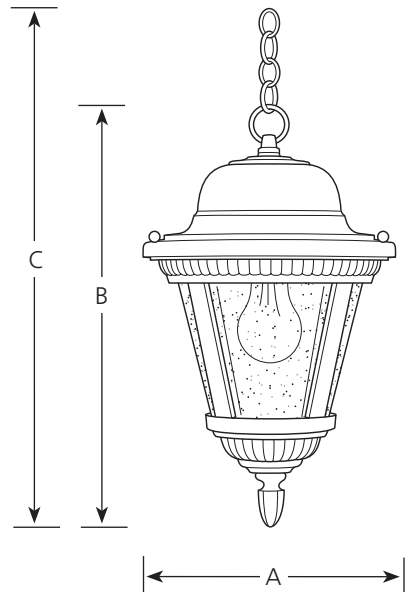


Type	_____		
	-20	-30	-31
P5530	<input type="checkbox"/>	<input type="checkbox"/>	<input type="checkbox"/>

Finish					Dimensions (Inches)		
Catalog No.	Antique Bronze	White	Black	Lamping	A	B	C
P5530	-20	-30	-31	1 (m) 100w	9	14-5/8	90



Specifications:

General

- Clear seeded glass
- Ribbed details with ribbed finials
- Die cast aluminum construction
- 6 feet of matching 9 gauge chain supplied
- Painted finishes

- Companion post top, close to ceiling, and wall units are available

Mounting

- Ceiling chain mount
- Canopy covers a standard recessed 4" hexagonal outlet box
- Mounting strap included

Electrical

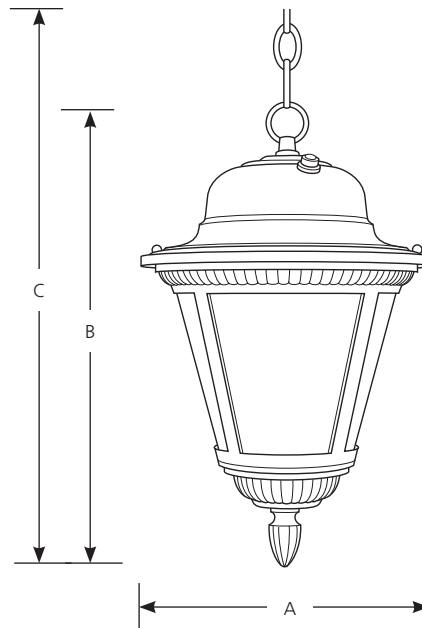
- Ceramic medium based socket
- 15 feet of wire included
- Pre-wired

Labeling

- UL-CUL damp location listed

Type _____
 -20STR
 P5530

Catalog No.	Finish	Lamping	Dimensions (Inches)		
	Antique Bronze		A	B	C
P5530	-20STR	1-13w CFL	9	14-5/8	90



Specifications:


General

- Seeded frosted glass: 7" dia. x 5-3/4" ht.
- Beaded details with ribbed finials
- Die cast aluminum construction
- Six feet of matching 9 gauge chain supplied
- Painted or acid antique bronze finish
- Companion post top, close-to-ceiling and wall units

Electrical

- GU24 based socket
- Integral photocell turns unit off during daytime
- Pre-wired

Labeling

-  US damp location listed

Mounting

- Ceiling chain mount
- Canopy covers a standard recessed 4" octagonal outlet box: 5" dia. x 1" ht.
- Mounting strap included