



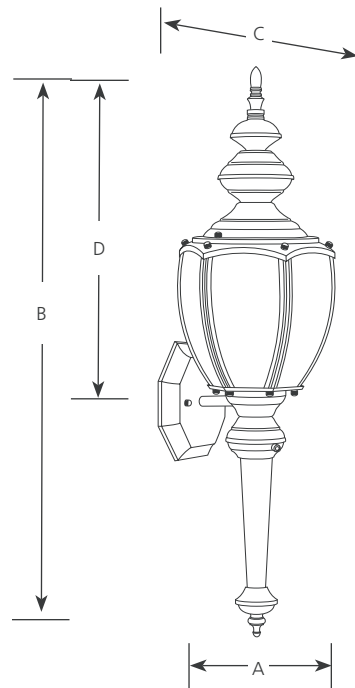
Compact Fluorescent

Roman Coach

Outdoor

Type \_\_\_\_\_  
 -09STR -19STR -31STR  
 P5772

Catalog No.	Finish			Lamping	Dimensions (Inches)			
	Brushed Nickel	Roman Bronze	Black		A	B	C	D
P5772	-09STR	-19STR	-31STR	1-26w GU24 Spiral not included	7	26-3/8*	6-7/8	16-1/4



**Specifications:**

General

- Acorn style
- Solid brass construction
- Plated nickel (-09), or bronze (-19) or painted black (-31) finishes
- Etched white glass curved panels
- Decorative tail supplied with unit. Can be installed with or without tail
- Lamp replacement – remove top of unit
- Matching wall units

Mounting

- Wall mounted outdoor.
- Covers standard recessed octagonal outlet box
- Mounting strap for outlet box

Electrical

- GU24 socket
- Integral photocell turns unit off during daytime
- Pre-wired

Labeling

- cCSAus wet location listed

Progress Lighting  
 701 Millennium Blvd.  
 Greenville, South Carolina  
 29607

www.progresslighting.com

Rev. 4/12