



Compact Fluorescent

Eclipse

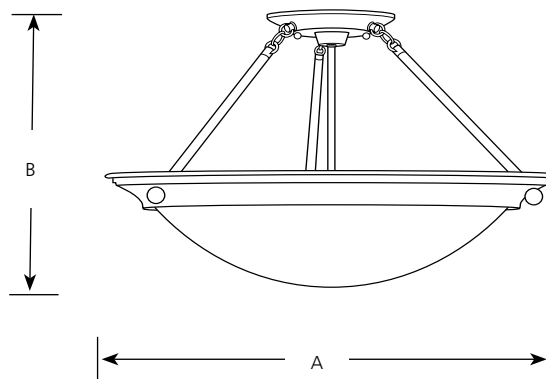
Close-To-Ceiling

Type _____

-09WB

P7328

Catalog No.	Finish	Lamping	Dimensions (Inches)	
	Brushed Nickel		A	B
P7328	-09WB	3-13w Quad CF (4-pin) (included)	19-3/8	13-1/4



Specifications:

General

- Satin white glass bowl
- Plated Brushed Nickel (-09WB) finish
- Three Quad CF (4-pin) 13w lamps (included)
- Steel construction
- Interior of pan is white for maximum light output
- Companion foyer, semi-flush and wall sconce
- Energy Star Certified
- Ideal for 9-foot ceilings or higher

Mounting

- Ceiling semi-flush mount
- Canopy covers a standard 4" octagonal recessed outlet box: 5-1/4" dia.
- Mounting strap for outlet box included

Electrical

- Pre-wired
- 120V NPF electronic ballast
- G24q-1 base sockets

Labeling

- UL-CUL Damp location listed



Progress Lighting
701 Millennium Blvd.
Greenville, South Carolina
29607

www.progresslighting.com

Rev. 02/13