



Compact Fluorescent

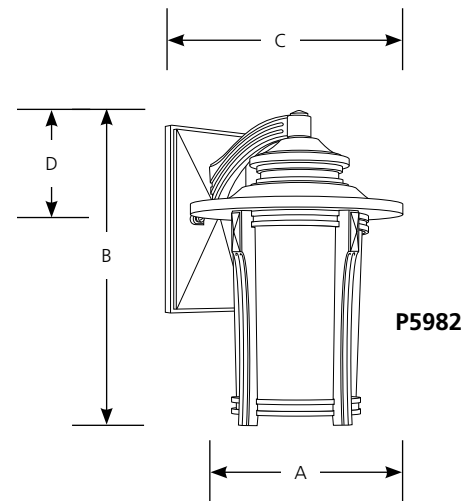
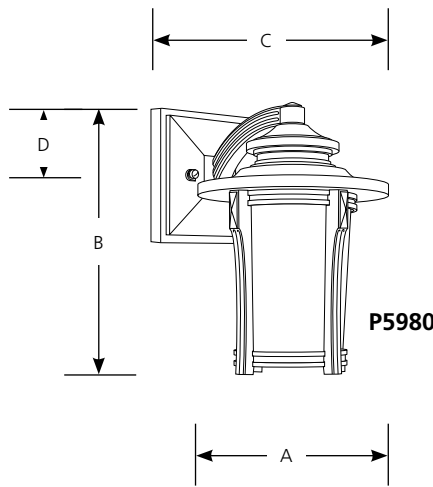
Pedigree

Outdoor

Type \_\_\_\_\_  
-97

- P5980
- P5981
- P5982
- P6607

Catalog No.	Finish		Lamping	Dimensions (Inches)			
	Autumn Haze			A	B	C	D
P5980	-97		1-26w GU-24	7	10	8-1/2	2-1/2
P5981	-97		1-26w GU-24	9	13-1/4	10-1/2	5-1/2
P5982	-97		1-26w GU-24	11-1/2	16-1/2	13-1/2	5-3/4
P6607	-97		1-42w GU-24	13-1/2	19-3/8	15-3/4	6-3/4



**Specifications:**

General

- Etched seeded glass curved panels
- Powder with liquid top coat Autumn Haze (-97) finish
- Aluminum construction
- Companion Chain hung lantern, Post top lantern, Wall lantern, fixtures are available

Electrical

- GU24 base socket
- Pre-wired

Labeling

- cCSAus Wet location listed

Mounting

- Wall mount
- Back plate covers a standard 4" hexagonal recessed outlet box  
P5980: 5" sq.  
P5981: 5-1/2" W., 10-1/2" ht.  
P5982: 5-1/2" W., 10-1/2" ht.  
P6607: 6-1/2" W., 12-5/16" ht.
- Mounting strap for outlet box included

Progress Lighting  
701 Millennium Blvd.  
Greenville, South Carolina  
29607

www.progresslighting.com

Rev. 01/14