



LED

**8" High Output Pro-Optic® LED
Remodel Downlight
120-277V
0-10V Dimming**

Recessed

Type _____
-EB120V -EB277V

P8215

All Items **MTO**

**LED Housing
Catalog No. Description**

Ceiling Cutout: see guide

Maximum Ceiling Thickness: 1-1/2"

P8215-EB120V	8" LED Remodel 120V Housing
P8215-EB277V	8" LED Remodel 277V Housing
P8215-EBSD120V	8" LED Small Diameter 120V Remodel Housing
P8215-EBSD277V	8" LED Small Diameter 277V Remodel Housing

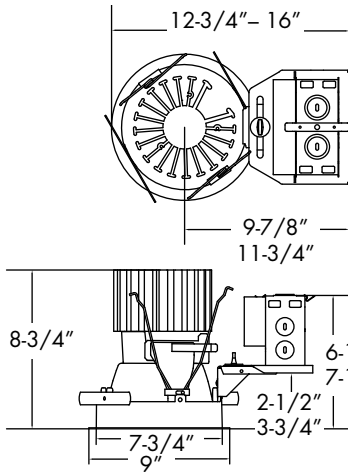
**LED Trim
Catalog No. Reflector Finish LED Color Temp**

<input type="checkbox"/> P8120	8" 2800lm module	<input type="checkbox"/> -21A Clear Alzak®	<input type="checkbox"/> /30K 3000 Kelvin	<input type="checkbox"/> WF Wide Flange*
		<input type="checkbox"/> -22A Gold Alzak®	<input type="checkbox"/> /35K 3500 Kelvin	
		<input type="checkbox"/> -28 White	<input type="checkbox"/> /40K 4000 Kelvin	

(White flange standard)

Example: P8120-21A/30KWF (Ordered separately)

* (only for Small Diameter Housings)



Specifications:

General

- 8" commercial grade LED downlight utilizing remote phosphor technology to obtain color consistency, energy savings, and low maintenance costs
- The P8215 is specifically designed to retrofit into ceilings with existing downlights without the need to removed the existing fixture
- 50,000 hours minimum life up to 40°C (104° F) in open plenum applications

Housing

- All components are made from quality die cast aluminum or galvaneal steel.
- Pre-wired J-box with snap-on cover for easy access.
- Snap-in connection from driver compartment allows easy installation of light engine/trim assembly without tools above or below the ceiling
- Approved for 8 (4 in/4 out) No. 12 AWG conductors rated for 90°C through wiring

Reflector

- High purity aluminum Alzak, iridescence suppressed, semi-diffuse reflector
- Self-flanged trim standard
- White painted self-flanged trim (-28) option available

LED Light Engine

- The P8215 uses the Philips Fortimo DLM LED Module with remote phosphor technology. This technology provides controlled color consistency from fixture to fixture
- The system is designed for optimal life and lumen maintenance (50,000 hours at 70% lumen maintenance)
- Both reflector and light engine assembly are mechanically retained to housing. The light engine comes standard with 80 CRI for all CCT's

LED Driver

- Driver is designed to match the 50,000 hour minimum life expectancy of the system
- Meets UL Class 2, inherent short circuit protection, self limited, overload protected
- Integrated thermal feedback loop will gradually reduce current to protect system life
- Universal driver 120V-277V

Dimming

- Flicker-free 0 – 10V dimming to 10%

Labeling

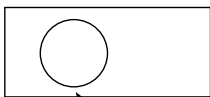
- cCSAus certified to US and Canadian safety standards
- Suitable for wet locations
- 5 year warranty

*Dimensions shown are for range of adjustability.

Notes:

To order proper housing:

1. Measure existing plaster frame aperture
2. Use Compatibility Guide for selecting hsg



Dimensions shown are for the diameter of the frame flange at it's narrowest point.

Housing Compatibility Guide		
Ordering Guidelines	8 inch	
	MIN	MAX
Requires SD Housing Option	7-15/16	8-1/8
All Standard Housings	8-1/8	8-3/4
Requires P8101-01 Ring Accessory and WF trims	8-3/4	9-1/8

Progress Lighting
701 Millennium Blvd.
Greenville, South Carolina
29607

www.progresslighting.com



LED

**8" High Output Pro-Optic® LED
Remodel Downlight
P8215/P8120**

Recessed

DRIVER DATA	P8120 30K	P8120 35K	P8120 40K	P8120 30K	P8120 35K	P8120 40K
Input Voltage	120V	120V	120V	277V	277V	277V
Input Frequency	60 Hz	60 Hz	60 Hz	60 Hz	60 Hz	60 Hz
Input Current	0.5A	0.5A	0.5A	0.28A	0.28A	0.28A
Input Power	49W	46W	46W	48W	45W	45W
Constant Current Output	.3 – 1.0 A	.3 – 1.0 A	.3 – 1.0 A	.3 – 1.0 A	.3 – 1.0 A	.3 – 1.0 A
Power Factor	≥0.90	≥0.90	≥0.90	≥0.90	≥0.90	≥0.90
THD	<20%	<20%	<20%	<20%	<20%	<20%
EMI Filtering	FCC 47CFR Part15, Class A	FCC 47CFR Part15, Class A	FCC 47CFR Part15, Class A	FCC 47CFR Part15, Class A	FCC 47CFR Part15, Class A	FCC 47CFR Part15, Class A
Operating Temperature	-20°C to 55°C	-20°C to 55°C	20°C to 55°C	-20°C to 55°C	20°C to 55°C	-20°C to 55°C
Dimming	0-10V	0-10V	0-10V	0-10V	0-10V	0-10V

Dimming 0-10V 100% to 10%

Pro-Optic LED driver is compatible with 0-10V type dimming controls. Recommended dimming controls are listed below.

Control Manufacturer	Wallbox Dimmer	Power Booster Available
Douglas Lighting controls	WPC 5721	
Entertainment Technology	Tap Glide TG600FAM120 (120V) Tap Glide Heatsink TGH1500FAM120 (120V) Oasis OA2000FAMU (120/277V)	
Honeywell, Inc.	EL 7315A1019 and EL7315A1009	EL7305A1010
HUNT Dimming	Preset Slide: PS-010-IV-120V and PS-010-WH-120V Preset Slide: PS-010-3W-IV-120V and PS-010-3W-WH-120V Preset Slide: PS-010-IV-277V and PS-010-WH-277V Preset Slide: PS-010-3W-IV-277V and PS-010-3W-WH-277V Preset Slide, controls FD-010: PS-IFC-010-IV- and PS-IFC-010-WH-120/277V Preset Slide, controls FD-010: PS-IFC-010-3W-IV- and PS-IFC-010-3W-WH-120/277V Remoted mounted unit: FD-010-120V and FD-010-277V	
Lehigh Electric Products Co.	Solitaire	PBX
Leviton Lighting Controls Div.	Leviton Centura Fluorescent Control System IllumaTech™ IP7 Series	CN100 PE300
Lutron Electronics Co., Inc.	Visit www.lutron.com/advance for the latest control information and selection	
PDM Electrical products	WPC-5721	
Starfield Controls	TR61 with DALI interface port	RT03 DAL Inet router
The Watt Stopper, Inc.	LS4 used with LCD-101 and LCD-103	





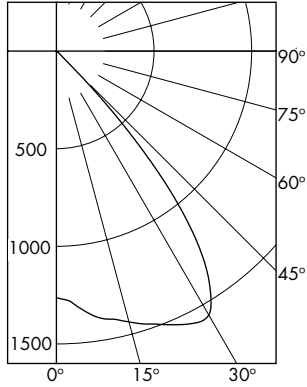
LED

**8" High Output Pro-Optic® LED
Remodel Downlight
P8215/P8120**

Recessed

P8215-EB120V WITH P8120-21A/35K

LED Light Engine: 3500K, 80 CRI
System Wattage: 48.5W
Fixture Delivered Lumens: 2249
Fixture Efficacy: 46.4
Spacing Criteria: 1.2



CANDELA DISTRIBUTION		
DEG	CANDELA	LUMENS
0	1263	
5	1318	128
15	1436	409
25	1545	713
35	1324	791
45	130	196
55	9	9
65	2	2
75	0	0
85	0	0
90	0	0

Test No. 5255

Tested at 25°C Ambient in accordance to IESNA LM-79-2008

ZONAL LUMEN SUMMARY

ZONE	LUMENS	%LUMINAIRE
0-30	1250	55.6
0-40	2041	90.8
0-60	2246	99.9
0-90	2249	100.0
90-180	0	0
0-180	2249	100.0

**LUMINANCE DATA IN CANDELA/
SQ. METER**

Angle in Vertical	Average - 0°
45°	6039
55°	515
65°	155
75°	0
85°	0

COEFFICIENTS OF UTILIZATION

Zonal Cavity Method

Room Cavity Ratio	% Effective Ceiling Cavity Reflectance																				
	80%				70%				50%				30%				10%				
	20% Effective Floor Cavity Reflectance																				
	% Wall Reflectance																				
	70	50	30	10	70	50	30	10	70	50	30	10	70	50	30	10	70	50	30	10	
1	113	110	107	105	111	108	106	103	104	102	100	100	99	97	97	95	94				
2	107	102	97	94	105	100	96	92	97	93	90	94	91	89	91	89	87				
3	101	94	88	84	99	92	87	83	90	85	82	87	84	81	85	82	79				
4	95	87	81	76	93	85	80	75	83	78	75	81	77	74	79	76	73				
5	89	80	74	69	88	79	73	69	77	72	68	76	71	67	74	70	67				
6	84	74	68	63	83	73	67	63	72	66	62	70	66	62	69	65	61				
7	79	69	62	58	78	68	62	57	67	61	57	66	61	57	64	60	56				
8	75	64	57	53	73	63	57	53	62	57	53	61	56	52	60	56	52				
9	70	60	53	49	69	59	53	49	58	52	48	57	52	48	56	52	48				
10	66	56	49	45	65	55	49	45	54	49	45	54	48	45	53	48	45				

P8215-EB120V P8120-21A/35K

Test No. 5255

