

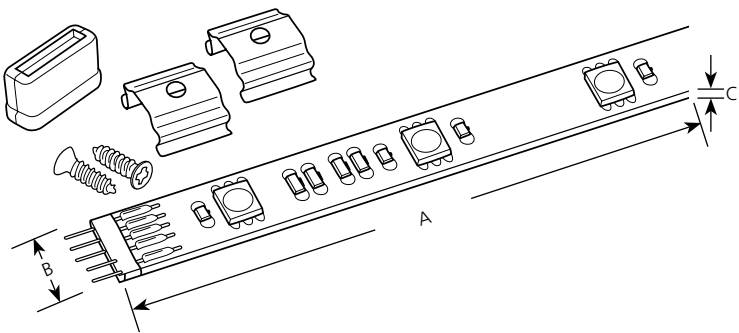
Type \_\_\_\_\_

-30

P7040-30

P7041-30

Catalog No.	Finish		Lamping	Dimensions (Inches)		
	White			A	B	C
P7040-30	-30		12 LED	12	3/8	1/8
P7041-30	-30		60 LED	60	3/8	1/8



**Specifications:**

General

- Field cuttable at every 2" to end of run
- Lumen output comparable to 10W xenon or 20W halogen 4 to 6" off counter
- Energy saving of up to 90%, with the look and feel of xenon or halogen
- 3000K Color temperature and CRI 85, improves visibility and perceived brightness
- Must use transformer P8683-31 to power system

Mounting

- Undercabinet mount
- 3M adhesive backing and mounting clips standard

Electrical

- Dimmable with a wide variety of incandescent and ELV dimmers
- 120 lumens per foot and consumes 3 watts per foot

Light Engine

- TM-21 40,000 hour life
- 3000K CCT
- 85 CRI
- Pre-wired

Labeling

- CETL Damp location listed