



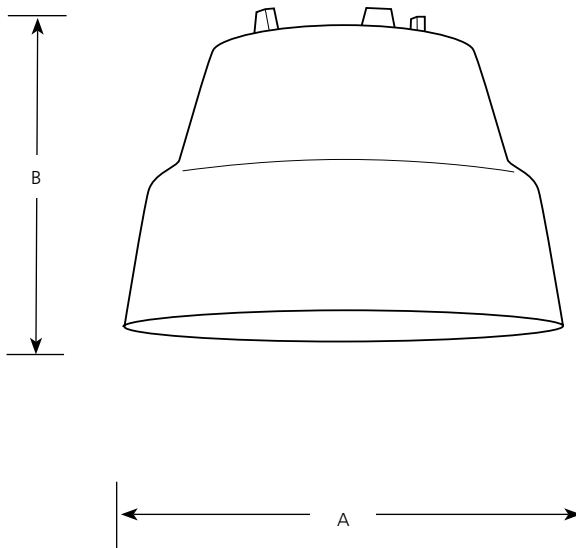
Incandescent

Par Lampholder Shrouds
Non-Metallic

Outdoor

Type _____
 -20 -30 -31
 P5214

Catalog No.	Finish			Dimensions (Inches)	
	Bronze	White	Black	A	B
P5214	-20	-30	-31	6-5/8	5-1/8



Specifications:

General

- UV stabilized non-metallic material
- Attaches to P5211 and P5212 lampholders to conceal the PAR lamps
- Bronze (-20), White (-30) or Black (-31) material