

SP-500P

Pedestal Sump Pump

OPERATOR'S MANUAL

- Pour français voir page 9
- Para ver el castellano vea la página 17



WARNING!

Read this Operators Manual carefully before using this tool. Failure to understand and follow the contents of this manual may result in electrical shock, fire and/or serious personal injury.

RIDGID®

Table of Contents

Recording Form for Pump Serial Number	1
General Safety Information	
Work Area	2
Electrical Safety	2
Personal Safety	3
Service	3
Specific Safety Information	
Pedestal Pump Safety	3
Description And Specifications	
Description	3-4
Specifications	4
Performance Curve and Performance Chart	4
Pump Assembly And Installation	
Assembly	4
Installation	5
Adjustment And Testing	6
Maintenance Instructions	6
Suggested Parts Replacement Schedule	6
Service And Repair	6
Troubleshooting	7
Warranty	Back Cover



Pedestal Sump Pump



Pedestal Sump Pump	
Record Serial Number from product decal below.	
Serial No.	

General Safety Information

Safety is a combination of common sense, staying alert and understanding how your sump pump works.

Safety Signal Words

⚠ DANGER means if the safety information is not followed someone **will** be seriously injured or killed.

⚠ WARNING means if safety information is not followed someone **could** be seriously injured or killed.

⚠ CAUTION means if safety information is not followed someone **may** be injured.

NOTICE means important information, that if not followed, **may** cause damage to the equipment or flooding.

⚠ WARNING Read and understand all instructions. Failure to follow all instructions listed below may result in fatal electric shock, fire, property damage, and/or serious personal injury.

SAVE THESE INSTRUCTIONS!

Work Area

⚠ DANGER

- Do not operate pump in explosive atmospheres, such as in the presence of flammable liquids, gases, or dust. Pump motors create sparks which may ignite the dust or fumes.
- Keep by-standers, children, and visitors away while installing pump. Distractions can result in mistakes.

Electrical Safety

⚠ WARNING



- This pump must be plugged into an outlet, properly installed, and grounded in accordance with all applicable codes and ordinances. Never remove the grounding prong or modify the plug in any way. Do not use any adapter plugs. Check with a qualified electrician if you are not sure the outlet is grounded. If the pump should electrically malfunction or break down, grounding provides a low resistance path to carry electricity away from the user.
- Electrical wiring must be performed by a qualified electrician. Improper wiring could result in fatal electrical shock.
- Do not abuse cord. Never use the cord to carry the pump or pull the plug from an outlet. Keep cord away from heat, oil, sharp edges, or moving parts. Replace damaged cords immediately. Damaged cords increase the risk of electrical shock.
- Keep the motor out of water. Do not let the motor get wet. Personal injury and/or death due to electrical shock could result.
- Pump must be plugged into an outlet receptacle that includes a Ground Fault Circuit Interrupter (GFCI). In the event of current leakage, a GFCI will trip, thus reducing the risk of serious injury or death from electrical shock.

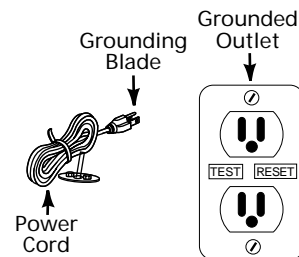


Figure 1

- Before using, test the Ground Fault Circuit Interrupter (GFCI) to insure it is operating correctly. A GFCI reduces the risk of electrical shock.
- Do not use an extension cord. This increases the risk of electrical shock. If necessary, install a properly grounded outlet closer to the pump.

Personal Safety

⚠️WARNING

- **Stay alert, watch what you are doing, and use common sense when installing this pump. Do not attempt to install this pump while tired or under the influence of drugs, alcohol or medications.** A moment of inattention may result in serious personal injury.
- **Dress properly. Do not wear loose clothing or jewelry. Contain long hair. Keep your hair, clothing, and gloves away from moving parts.** Loose clothes, jewelry, or long hair can be caught in moving parts.
- **Do not overreach. Keep proper footing and balance at all times.** Proper footing and balance enables better control in unexpected situations.
- **Use safety equipment. Always wear eye protection.** Dust mask, non-skid safety shoes and hard hat must be used for appropriate conditions.

Service

⚠️WARNING

- **Pump service must be performed only by qualified repair personnel.** Service or maintenance performed by unqualified repair personnel could result in injury and may void the warranty.
- **When servicing a pump, use only identical replacement parts. Follow instructions in the Maintenance Section of this manual.** Use of unauthorized parts or failure to follow maintenance instructions may create a risk of electrical shock or injury and may void the warranty.

Specific Safety Information

⚠️WARNING Risk of electric shock. This pump is supplied with a grounding-type plug. To reduce risk of electric shock be certain that it is connected only to a properly grounded, grounding-type receptacle that is protected by a GFCI.



For your own safety, before assembling and operating this unit, read this operators manual carefully and completely. Learn the operation, application, and potential hazards peculiar to this unit.

Call the Ridge Tool Company, Technical Services Department at (800) 519-3456 if you have any questions.

Pedestal Pump Safety

⚠️DANGER



- **Do not use to pump flammable or explosive fluids such as gasoline, fuel oil, kerosene, solvents, thinners, etc. Do not use in a flammable and/or explosive atmosphere. Pump should only be used to pump clear water.** Improper use could result in personal injury and/or death.

⚠️WARNING

- **If there is water or moisture on the floor or ground near the pump, do not walk on wet area until all power is turned off. If the shut-off box is in the basement, call an electrician.** Failure to follow this warning could result in fatal electrical shock.
- **Do not submerge motor or allow motor to be exposed to water.** Failure to follow this warning could result in personal injury and/or death.
- **Always disconnect the power source before attempting to install, service, relocate, or maintain the pump. Never handle a pump or pump motor with wet hands or when standing on a wet or damp surface or in water.** Failure to follow this warning could result in personal injury and/or death.
- **Pump motor is equipped with automatic resetting thermal protector that could restart unexpectedly.** Disconnect power source when servicing pump.
- **Do not modify or position float switch so that pump will operate continuously.** Pump is not designed for continuous operation, this will reduce performance and the life of the pump.

Description And Specifications

Description

The Pedestal Pump is designed for home sump operations only. The unit is equipped with an 8 foot, 3-prong grounding type power cord. The motor is air cooled and is NOT designed to operate under water or

be exposed to water. A float activated switch provides automatic operation to maintain water level between set points.

NOTICE This pump is not designed to handle salt water, brine, laundry discharge, or any other application which may contain caustic chemicals and/or foreign materials. This pump is not suitable for use with aquatic life. Pump damage or failure could occur if used in these applications and will void the warranty.

NOTICE It is strongly recommended that a battery back-up system be used. Power outages, excessive water flow, G.F.C.I. tripping and primary pump wear can cause flooding. A battery back-up system reduces this risk. Contact your Ridge Tool distributor.

Specifications

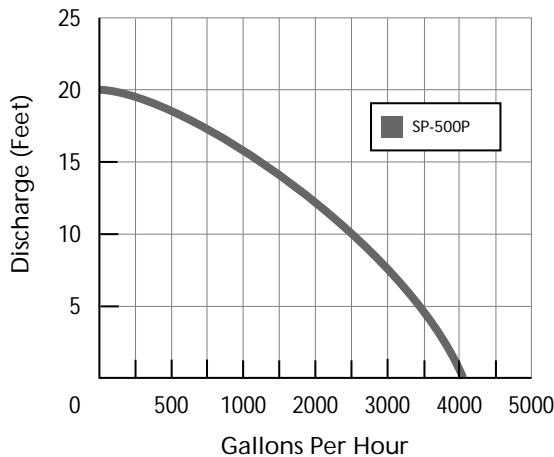
Motor:

Type..... Split Phase
 Rating 115V, Single Phase, 1/2 HP
 Amps. 7.3

Pump:

Flow 4100 GPH @ 0 Ft.

Performance Curve



Performance Chart

Model	Discharge Head	0'	5'	10'	15'
SP-500P	Gallons/Hour	4100	3360	2400	1380

Installation:

Minimum Pit Diameter 11"
 Maximum Pit Depth 24"
 Minimum discharge 1-1/4" NPT

Pump Assembly And Installation

DANGER



- Pump should only be used to pump clear water. Do not use to pump fluids such as gasoline, fuel oil, or kerosene. Do not use in a flammable or explosive atmosphere. Improper use could result in personal injury and/or death.

WARNING

To prevent property damage, serious injury, or death, proper installation of the pump is required. The following procedures should be followed:

- Pump must be plugged into an outlet receptacle that includes a Ground Fault Circuit Interrupter (GFCI) (Figure 1).
- Do not submerge motor or allow motor to be exposed to water.
- Always disconnect the power source before attempting to install, service, relocate, or maintain the pump. Never handle a pump or pump motor with wet hands or when standing on wet or damp surface or in water.

Assembly

1. Insert the float rod through hole in the switch lever. (Figure 2)



Figure 2 – Switch Assembly

2. Place rubber grommet on float rod in temporary position.
3. Carefully snap plastic float rod guide onto pump column and insert float rod into guide. (Figure 3)
4. Using pliers to hold the float rod, screw the float on until tight as shown in Figure 3.

Installation

1. Construct a sump pit from concrete, steel, or plastic that is no more than 24" deep and at least 11" in diameter (Figure 3). If the sump already exists, make sure it is the proper size.
2. Make sure the electrical outlet is grounded and is rated for 115 volts and at least 15 amps. The outlet must be protected by a Ground Fault Circuit Interrupter (GFCI) (Figure 1).

⚠WARNING Use of a grounded receptacle that is protected by a GFCI reduces risk of a fatal electrical shock.

3. Inspect the power cord and plug for damage. If the plug is missing the grounding prong or the cord is damaged, do not install the pump.

⚠WARNING Never cut off grounding prong or use an adapter.

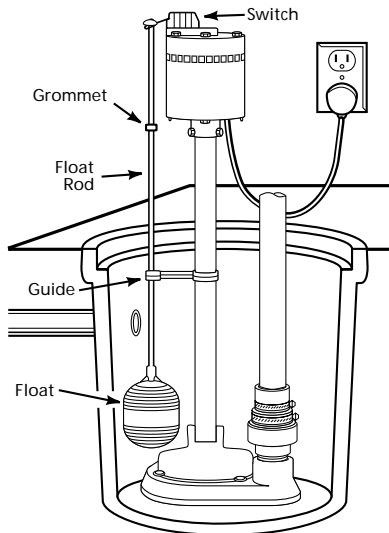


Figure 3 – Sump Installation

⚠WARNING Support pump and piping when assembling and after installation. Failure to do so could cause piping to break or pump to fail, which could result in property damage and/or personal injury.

4. Set pump into sump. Locate the pump on a solid level surface.

NOTICE Do not place pump directly on clay, gravel, or any loose or sandy surfaces. These surfaces contain small stones or sand that may clog or damage the pump. This could result in pump failure causing flooding and property damage.

5. This pump has a 1-1/2" NPT discharge. If existing piping is 1-1/4" NPT, an adapter bushing (not included) should be used. Do not use discharge pipe smaller than 1-1/4" NPT. Piping that is too small will result in reduced output.
6. A check valve (not included) is required in the discharge line to prevent backflow when the pump shuts off. It is best to install the check-valve directly to the pump discharge. Thread a check valve into pump discharge.

NOTICE Be careful not to strip or cross-thread. Do not use pipe joint sealant.

NOTICE Flexible discharge hose is intended for temporary use only. Rigid PVC or metal pipe is required for a permanent installation. If flexible discharge hose is temporarily used, make sure pump is secured in sump pit to prevent movement. Failure to secure pump could allow pump movement and cause switch interference and prevent pump from starting or stopping. This could result in flooding and property damage and may void your warranty.

IMPORTANT! Make sure there is adequate room for float switch to move freely during operation. A 1" minimum is required.

7. Connect 1-1/4" diameter rigid pipe to rubber boot on check valve (not included). Reverse boot for 1-1/2" diameter pipe. Tighten hose clamps.
8. Insert the pump cord plug directly into 115 volt grounded electrical outlet that is protected by Ground Fault Circuit Interrupter (GFCI)(Fig. 1).

⚠WARNING When routing electrical cord protect cord from sharp objects, hot surfaces, oils, and chemicals. Do not kink cord. Do not use a pump with a damaged cord.

Adjustment And Testing

1. Fill sump pit with water.
2. Adjust rubber grommet into a permanent position on float rod so that the pump switches on with approximately 14" of water in the sump pit.
3. While the pump is draining the pit, verify that the discharge piping is carrying the water to a point at least 15 feet away from the foundation.

NOTICE The outside piping must be tilted downward to drain. This helps prevent debris from entering the discharge pipe, and also prevents trapped water from freezing which can damage the pump.

4. Install sump pit cover (not included) to prevent debris from clogging or damaging the pump.

Maintenance Instructions

WARNING Always disconnect the electrical supply or unplug the pump before attempting to install, service, relocate, or perform any maintenance. If the power source is out of sight, lock and tag in the open (OFF) position to prevent unexpected power application. Failure to do so could result in fatal electrical shock. Only a qualified technician should repair this unit. Improper repair could result in fatal electrical shock.

1. Check the operation of the Ground Fault Circuit Interrupter (GFCI) on a monthly basis.
2. Keep pump inlet clean and free of all foreign objects. Inspect at least once a year and clean sump as needed.
3. Check pump for proper operation monthly by filling sump with water until pump turns on.
4. Inspect all plumbing connections for any leaks or looseness monthly.

NOTE! Disassembly of the motor will void the warranty.

Suggested Parts Replacement Schedule

Replace pump switch every 2 years. Use RIDGID cat. 88487

Replace float every 2 years. Use RIDGID cat. 88467

Replace motor every 5 years. Use RIDGID cat. 88462

Service And Repair

WARNING Service and repair work on this pump must be performed by qualified repair personnel. Pump should be taken to a RIDGID Independent Authorized Service Center or returned to the factory. All repairs made by Ridge service facilities are warranted against defects in material and workmanship.

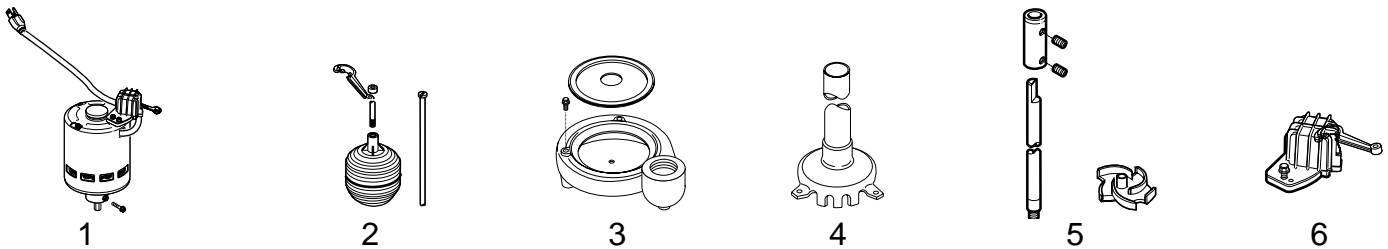
When servicing this pump, only identical RIDGID replacement parts should be used. Failure to follow these steps may create a risk of flooding, property damage, fatal electrical shock, or other serious injury.

If you have any questions regarding the service or repair of this machine, call or write to:

Ridge Tool Company
Technical Services Department
400 Clark Street
Elyria, Ohio 44036-2023
Tel: (800) 519-3456
E-Mail: mail to:Tech Services@ridgid.com

For name and address of your nearest Independent Authorized Service Center, contact the Ridge Tool Company at (800) 519-3456 or <http://www.ridgid.com>

Figure	Description	Cat. Number
1	Motor Kit	88462
2	Float and Guide Kit	88467
3	Volute Kit	88472
4	Pump Top Housing with Bearing and Column	88477
5	Impeller Kit	88482
6	Switch Kit	88487


TROUBLESHOOTING CHART

Symptom	Possible Cause(s)	Corrective Action
Pump will not start or run	<ol style="list-style-type: none"> Blown fuse or breaker Low line voltage Worn motor Worn switch Impeller not rotating Float obstructed 	<ol style="list-style-type: none"> If blown, replace with proper sized fuse or reset breaker. If voltage is under 108 volts, check wiring size. Replace motor or pump. Replace switch (RIDGID pedestal switch kit Cat # 88487). Disconnect pump from power source. If impeller will not turn, remove housing and remove blockage. Make sure float moves freely up and down.
Pumps start and stops too often	<ol style="list-style-type: none"> Backflow of water from piping Float out of adjustment 	<ol style="list-style-type: none"> Install or replace check valve. Adjust grommet.
Pump will not shut off or thermal protector turns off	<ol style="list-style-type: none"> Defective switch Obstacle in piping Float obstructed 	<ol style="list-style-type: none"> Replace switch (RIDGID pedestal switch kit Cat #88487). Remove pump and clean pump and piping. Make sure float moves freely up and down.
Pump operates but delivers little or no water	<ol style="list-style-type: none"> Low line voltage Plugged impeller 	<ol style="list-style-type: none"> If voltage is under 108 volts, check wiring size. Clean out impeller.

RIDGID

Pompe de puisard sur colonne



Pompe de puisard sur colonne	
Enregistrez le numéro de série de la décalcomanie du produit ci-après	
No. de série	

Table des matières

Formulaire d'enregistrement du numéro de série de la pompe	9
Informations générales de sécurité	
Aire de travail	11
Sécurité électrique	11
Sécurité personnelle	12
Service	12
Information de sécurité spécifique	
Sécurité de pompe sur colonne	12
Description et spécifications	
Description	12-13
Spécifications	13
Courbe et tableau de performance	13
Assemblage et installation de la pompe	
Assemblage	13
Installation	14
Ajustement et test	15
Instructions d'entretien	15
Suggestions d'horaire de remplacement des pièces	15
Service et réparation	15
Dépannage	16
Garantie	Couverture arrière

Informations générales de sécurité

La sécurité est un mélange de sens commun, vigilance et compréhension du fonctionnement de votre pompe de puisard.

Termes de sécurité

▲ DANGER signifie que si l'information de sécurité n'est pas respectée, une personne sera grièvement blessée ou tuée.

▲ AVERTISSEMENT signifie que si l'information de sécurité n'est pas respectée, une personne **pourrait** être grièvement blessée ou tuée.

▲ ATTENTION signifie que si l'information de sécurité n'est pas respectée, une personne pourrait être blessée.

AVIS indique de l'information importante qui non respectée pourrait endommager l'équipement ou inonder.

▲ AVERTISSEMENT Lire et comprendre toutes les instructions. Le non-respect de toutes les instructions ci-après pourrait mener à un choc électrique mortel, un incendie, des dommages à la propriété et/ou de graves blessures.

CONSERVER CES INSTRUCTIONS !

Aire de travail

▲ DANGER

- **Ne faites pas fonctionner la pompe dans des atmosphères explosives telles qu'en présence de liquides, gaz ou poussière inflammables. Les moteurs de pompe créent des étincelles qui pourraient enflammer la poussière ou les fumées.**
- **Gardez les spectateurs, les enfants et les visiteurs loin en installant la pompe.** Des distractions peuvent mener à des erreurs.

Sécurité électrique

▲ AVERTISSEMENT



- **Cette pompe doit être branchée dans une prise, installée correctement et mise à la terre conformément à tous les codes et ordonnances applicables. Ne retirez jamais la broche de masse et ne modifiez pas la fiche. N'utilisez pas de fiches d'adaptateur. Vérifiez auprès d'un électricien qualifié si vous n'êtes pas certain que la prise soit mise à la terre.** Si la pompe a une défaillance électrique ou cesse de fonctionner, la masse offre une voie de faible résistance pour éloigner l'électricité de l'utilisateur.
- **Le câblage électrique doit être effectué par un électricien qualifié.** Tout mauvais câblage peut mener à un choc électrique mortel.
- **N'abusez pas du cordon. Ne l'utilisez jamais pour transporter la pompe ou pour retirer la fiche de la prise. Gardez le cordon loin de la chaleur, de l'huile, bord tranchants ou pièces mobiles. Remplacez immédiatement les cordons endommagés car ils augmentent le risque de choc électrique.**
- **Gardez le moteur hors de l'eau. Ne laissez pas le moteur se mouiller car des blessures et/ou la mort suite à un choc électrique peuvent s'en suivre.**
- **La pompe doit être branchée dans une prise qui inclut un disjoncteur différentiel (DD).** Dans le cas de fuite de courant, un DD se déclenchera réduisant ainsi le risque de blessure grave ou de mort suite à un choc électrique.

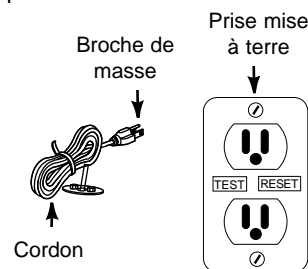


Figure 1

- **Avant d'utiliser, testez le disjoncteur différentiel (DD) pour vous assurer qu'il fonctionne correctement.** Un DD réduit le risque de choc électrique.
- **N'utilisez pas de rallonge** car cela augmente le risque de choc électrique. Si nécessaire, installez une prise à la terre plus près de la pompe.

Sécurité personnelle

⚠ AVERTISSEMENT

- **Restez vigilant, regardez ce que vous faites et utilisez du sens commun en installant cette pompe. N'essayez pas de l'installer fatigué ou sous l'influence de drogues, d'alcool ou de médicaments.** Un moment d'inattention peut provoquer de graves blessures.
- **Habillez-vous correctement. Ne portez pas de vêtements amples ni de bijoux. Attachez les cheveux longs. Gardez les cheveux, vêtements et gants loin des pièces mobiles** car ils peuvent se prendre dans les pièces mobiles.
- **Ne vous penchez pas trop. Posez bien les pieds et assurez-vous de ne jamais perdre l'équilibre** car cela vous permet de mieux contrôler les situations inattendues.
- **Utilisez de l'équipement de sécurité. Portez toujours une protection oculaire.** Utilisez des masques antipoussières, des souliers de sécurité antidérapants et un casque protecteur selon le cas.

Service

⚠ AVERTISSEMENT

- **L'entretien de la pompe doit être effectué seulement par un personnel d'entretien qualifié.** L'entretien et la réparation par une personne non qualifiée pourrait provoquer des blessures et annuler la garantie.
- **En faisant le service de la pompe, utilisez seulement des pièces de rechange identiques. Suivez les instructions sous la section d'entretien de ce manuel.** Utilisez des pièces non-autorisées ou le non-respect des instructions d'entretien peut causer un risque de choc électrique ou de blessure. .

Information de sécurité spécifique

⚠ AVERTISSEMENT

Risque de choc électrique.
Cette pompe est alimentée par une prise mise à la terre. Pour réduire les risques de choc électrique, assurez-vous qu'elle soit branchée seulement à une prise mise à la terre correctement protégée par un DD.



Pour votre propre sécurité, avant d'assembler et de faire fonctionner l'appareil, lisez attentivement et en entier ce manuel des opérations. Apprenez l'application d'opération et

les dangers possibles de cet appareil-ci.

Appelez les services techniques de Ridge Tool Company au (800) 519-3456 si vous avez des questions.

Sécurité de la pompe sur colonne

⚠ DANGER



- **N'utilisez pas pour pomper des fluides inflammables ou explosifs tels qu'essence, fuel, kérosène, solvants, diluants, etc. N'utilisez pas dans une atmosphère inflammable et/ou explosive. La pompe doit seulement servir pour pomper de l'eau claire.** Une mauvaise utilisation peut mener à des blessures personnelles et/ou à la mort.

⚠ AVERTISSEMENT

- **S'il y a de l'eau ou de l'humidité sur le sol ou sur le plancher près de la pompe, ne marchez pas dessus avant de couper le courant. Si la boîte d'arrêt est dans le sous-sol, appelez un électricien.** Le non-respect de cet avertissement pourrait mener à un choc électrique mortel.
- **Ne submergez pas le moteur et ne le laissez pas exposé à l'eau.** Le non-respect de cet avertissement pourrait mener à une blessure et/ou à la mort.
- **Coupez toujours la source de courant avant d'essayer d'installer, de réparer, de replacer ou de faire l'entretien de la pompe. Ne manipulez jamais une pompe ou son moteur avec les mains mouillées ou debout sur une surface mouillée ou humide ou dans l'eau.** Le non-respect de cet avertissement pourrait mener à une blessure et/ou à la mort.
- **Le moteur de la pompe est doté d'un protecteur thermique à réinitialisation automatique qui pourrait redémarrer inopinément.** Coupez toujours le courant en réparant la pompe.
- **Ne modifiez pas le flotteur ni l'interrupteur de position du flotteur pour que la pompe fonctionne continuellement.** La pompe n'est pas conçue pour fonctionner continuellement et ceci réduira sa performance et sa durée de vie.

Description et spécifications

Description

La pompe submersible est conçue pour les opérations de décontamination résidentielle seulement. L'appareil est doté d'un cordon mis à la terre à 3 broches de 8 pieds (2,4 m). Le moteur est refroidi à l'air et N'est PAS prévu pour fonctionner

sous l'eau ni être exposé à l'eau. Un interrupteur activé par flotteur fournit une opération automatique pour conserver le niveau d'eau entre les points établis.

AVIS

Cette pompe n'est pas conçue pour traiter l'eau salée, la saumure, les refoulements de lavage ou toute autre application pouvant contenir des produits chimiques caustiques et/ou des matières étrangères. Cette pompe ne convient pas pour la vie aquatique. La pompe peut être endommagée ou manquer si utilisée pour ces applications et cela annulera la garantie.

AVIS

Il est fortement recommandé d'utiliser un système de secours de batterie. Les pannes de courant, le débit d'eau excessif, le déclenchement de DD et l'usure de la pompe primaire peuvent provoquer des inondations. Un système de secours réduit ce risque. Contactez votre distributeur Ridge Tool.

Spécifications

Moteur :

Type Enroulement auxiliaire
 Calibre Monophasé 115V, 1/2 HP
 Ampères 7,3

Pompe :

Débit.....4 100 gal/h @ 0 pi

Courbe de performance

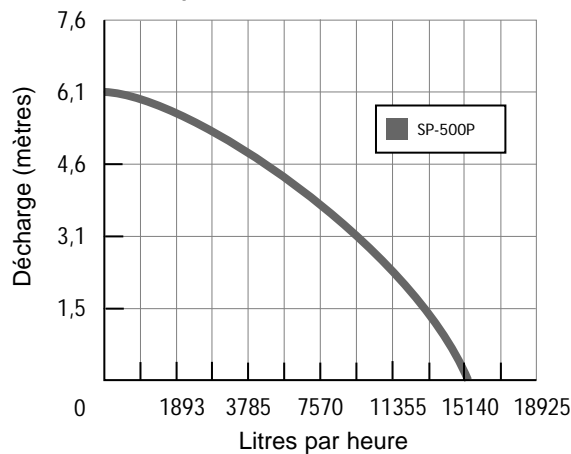


Tableau de performance

Modèle	Tête de décharge	0m	1,5m	3,1m	4,6m
SP-500P	Litres/heure	15519	12718	9084	5223

Installation:

Diamètre minimum de fosse 11 po
 Profondeur maximum de fosse 24 po
 Décharge minimum 1-1/4 po NPT

Assemblage et installation de la pompe

⚠ DANGER



- **La pompe ne doit servir que pour pomper de l'eau claire. Ne l'utilisez pas pour des fluides tels qu'essence, fuel ou kérosène ni dans une atmosphère inflammable ou explosive.** Toute mauvaise utilisation de la pompe pourrait causer des blessures et/ou la mort.

⚠ AVERTISSEMENT

Pour éviter les dommages à la propriété, les blessures graves ou la mort, il faut installer la pompe correctement et suivre ces procédures :

- **La pompe doit être branchée dans une prise qui inclut un disjoncteur différentiel (DD) (Figure 1).**
- **Ne submergez pas le moteur et ne le laissez pas exposé à l'eau.**
- **Coupez toujours la source de courant avant d'essayer d'installer, de réparer, de replacer ou de faire l'entretien de la pompe. Ne manipulez jamais une pompe ou son moteur avec les mains mouillées ou debout sur une surface mouillée ou humide ou dans l'eau.**

Assemblage

1. Insérez la tige de flotteur dans le trou dans le levier de l'interrupteur. (Figure 2)



Figure 2 – Assemblage d'interrupteur

2. Placez l'oeillet de caoutchouc sur la tige de flotteur dans une position temporaire.
3. Encliquetez délicatement le guide de la tige du flotteur de plastique sur la colonne de la pompe et insérez la tige sur le guide. (Figure 3)
4. Utilisez des pinces pour ternir la tige du flotteur, vissez le flotteur jusqu'à ce qu'il soit serré tel qu'illustré dans la Figure 3.

Installation

1. Construisez une fosse de puisard en béton, acier ou plastique d'une profondeur de moins de 24 po (60,96 cm) et d'au moins 11 po (27,94 cm) de diamètre (Figure 3). S'il y a déjà un puisard, assurez-vous qu'il soit de la bonne taille.
2. Assurez-vous que la prise électrique soit à la terre, de calibre de 115 volts, d'au moins 15A et protégée par un disjoncteur différentiel (DD) (Figure 1).

AVERTISSEMENT

L'utilisation d'une prise mise à la terre protégée par un DD réduit le risque de choc électrique mortel.

3. Inspectez le cordon d'alimentation et la prise pour tout signe de dommage. Si la prise n'a pas de broche de masse ou si le cordon est endommagé, n'installez pas la pompe.

AVERTISSEMENT

Ne coupez jamais la broche de masse et n'utilisez pas d'adaptateur.

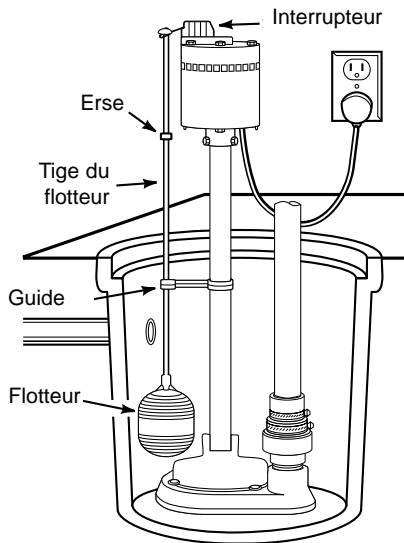


Figure 3 – L'installation de la pompe de puisard

AVERTISSEMENT

Supportez la pompe et la tuyauterie en assemblant et après l'installation sinon les tuyaux peuvent casser ou la pompe ne pas fonctionner menant à des dommages à la propriété et/ou des blessures personnelles.

4. Posez la pompe dans le puisard sur une surface solide et à niveau.

AVIS

Ne placez pas directement sur l'argile, le gravier ou toutes surfaces lâches ou sablonneuses car elles contiennent de petites roches ou du sable qui pourraient bloquer ou endommager la pompe provoquant une défaillance et donc une inondation et des dommages à la propriété.

5. La pompe a une décharge de 1-1/2 po (3,8 cm) NPT. S'il y a un tuyau de 1-1/4 po (3,17 cm) NPT, vous pouvez utiliser un raccordement d'adaptateur (non fourni). N'utilisez pas de tuyau de moins de 1-1/4 po (3,17 cm) NPT car les flexibles de décharge trop petits auront une sortie réduite.

6. Il faut un clapet (non fourni) dans la ligne de décharge pour éviter tout retour à l'arrêt de la pompe. Il est préférable d'installer directement le clapet à la décharge. Enfilez-le sur la décharge de pompe.

AVIS

Attention de ne pas dénuder ou fausser le filetage. N'utilisez pas de mastic de jointement.

AVIS

Le flexible de décharge doit être utilisé seulement temporairement. Il faut un tuyau de métal ou de PVC rigide pour une installation permanente. Si vous utilisez temporairement un flexible, assurez-vous que la pompe est bien installée dans la fosse du puisard pour éviter tout déplacement sinon cela pourrait créer une interférence d'interrupteur et empêcher la pompe de démarrer ou d'arrêter ce qui pourrait mener à des inondations et des dommages à la propriété et cela peut annuler la garantie.

IMPORTANT ! Assurez-vous qu'il y ait suffisamment d'espace pour que l'interrupteur à flotteur se déplace librement durant l'opération. Il faut au moins 1 po (2,54 cm).

7. Raccordez le tuyau rigide de 1-1/4 po (3,17 cm) de diamètre au manchon de caoutchouc du clapet (non fourni). Inversez le manchon pour les tuyaux de 1-1/2 po (3,8 cm) de diamètre. Resserrez les pinces.

8. Insérez la prise du cordon de la pompe directement dans une prise à la terre de 115 volts protégée par un disjoncteur différentiel (DD) (Figure 1).

AVERTISSEMENT

En acheminant le cordon protégez-le des objets tranchants, surfaces chaudes, huiles et produits chimiques. Ne tordez pas le cordon. N'utilisez pas une pompe au cordon endommagé.

Ajustement et test

1. Remplissez la fosse du puisard d'eau.
2. Ajustez l'oeillet de caoutchouc en position permanente sur la tige du flotteur pour que la pompe se mette en marche avec environ 14 po d'eau dans la fosse du puisard.
3. Tandis que la pompe vide la fosse, vérifiez que le tuyau de décharge transporte l'eau à un point au moins 15 pi (4,57 m) de la fondation.

AVIS

La tuyauterie extérieure doit être penchée vers le bas pour drainer ce qui aide à empêcher les débris d'entrer dans le tuyau de décharge et aussi l'eau emprisonnée de geler ce qui pourrait endommager la pompe.

4. Installez le couvercle de fosse de puisard (non fourni) pour éviter que les débris bloquent ou endommagent la pompe.

Instructions d'entretien

⚠️ AVERTISSEMENT

- **Coupez toujours le courant ou débranchez la pompe avant d'essayer d'installer, réparer, replacer ou entretenir l'appareil. Si la source de courant est hors de vue, verrouillez et étiquetez en position ouverte (OFF) pour éviter toute application imprévue de courant. Sinon, cela pourrait mener à un choc électrique mortel. Seul un technicien qualifié devrait réparer cet appareil. Toute mauvaise réparation peut mener à un choc électrique mortel.**

1. Vérifiez l'opération du disjoncteur différentiel (DD) chaque mois.
2. Gardez l'entrée de la pompe propre et sans objets étrangers. Inspectez au moins une fois l'an et nettoyez le puisard au besoin.
3. Vérifiez la pompe pour vous assurer de son bon fonctionnement chaque mois en remplissant le puisard d'eau jusqu'à ce que la pompe démarre.
4. Inspectez toutes les connexions de plomberie pour toutes fuites ou desserrement chaque mois.

NOTE ! Démontez le moteur annulera la garantie.

Suggestions d'horaire de remplacement des pièces

Remplacez l'interrupteur de la pompe tous les 2 ans. Utilisez le cat. RIDGID 88487

Remplacez le flotteur aux 2 ans. Utilisez le cat. RIDGID 88467

Remplacez le moteur aux 2 ans. Utilisez le cat. RIDGID 88462

Service et réparation

⚠️ AVERTISSEMENT Le travail de service et réparation de cette pompe doit être effectué par un personnel qualifié. La pompe doit être apportée à un centre de service autorisé indépendant RIDGID ou retournée à l'usine. Toutes les réparations effectuées dans des installations de service Ridge sont garanties contre les défauts de matériau et main d'oeuvre.

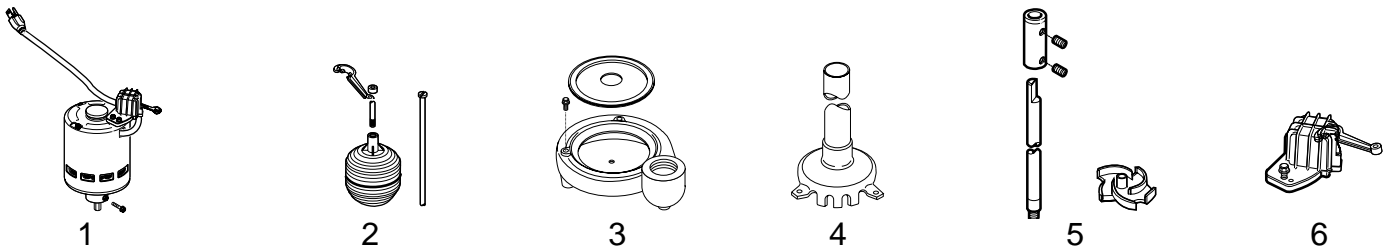
En réparant cette pompe, seules des pièces de rechange identiques doivent être utilisées sinon cela pourrait créer un risque d'inondation, de dommages à la propriété, de choc électrique mortel ou d'autres blessures graves.

Si vous avez des questions au sujet du service ou des réparations de cet appareil, appelez ou écrivez à :

Ridge Tool Company
 Technical Service Department
 400 Clark Street
 Elyria, Ohio 44036-2023
 Tél : (800) 519-3456
 Courriel : TechService@ridgid.com

Pour le nom et l'adresse de votre centre de service autorisé indépendant le plus près, contactez la Ridge Tool Company au (800) 519-3456 ou <http://www.ridgid.com>

Figure	Description	Numéro Cat.
1	Trousse de moteur	88462
2	Trousse de guide et flotteur	88467
3	Trousse de volute	88472
4	Log. sup. de pompe avec roulement, colonne	88477
5	Trousse de rotor	88482
6	Trousse d'interrupteur	88487


TABLEAU DE DÉPANNAGE

Symptôme	Cause(s) possible(s)	Mesure corrective
Pompe ne démarre pas ou ne tourne pas	<ol style="list-style-type: none"> 1. Fusible ou disjoncteur grillé 2. Faible tension de ligne 3. Moteur usé 4. Interrupteur usé 5. Rotor ne tourne pas 6. Obstruction de flotteur 	<ol style="list-style-type: none"> 1. Si grillé, remplacez avec la bonne taille de fusible ou réinitialiser le disjoncteur. 2. Si la tension est sous 108V, vérifiez la taille des fils. 3. Remplacez le moteur ou la pompe. 4. Remplacez l'interrupteur (Trousse d'interrupteur à colonne No cat. RIDGID 88487). 5. Débranchez la pompe de la source d'énergie. Si le rotor ne tourne pas, retirez le boîtier et retirez le blocage. 6. Assurez-vous que le flotteur se déplace librement vers le haut et le bas.
Pompe démarre et s'arrête trop souvent	<ol style="list-style-type: none"> 1. Retour d'eau du tuyau 2. Flotteur désajusté 	<ol style="list-style-type: none"> 1. Installez ou remplacez le clapet. 2. Ajustez l'oeillet.
Pompe ne s'éteint pas ou le protecteur thermique s'arrête	<ol style="list-style-type: none"> 1. Interrupteur défectueux 2. Obstacle dans le tuyau 3. Flotteur obstrué 	<ol style="list-style-type: none"> 1. Remplacez l'interrupteur (Trousse d'interrupteur à colonne No cat. RIDGID 88487). 2. Retirez la pompe et nettoyez la pompe et les tuyaux. 3. Assurez-vous que le flotteur se déplace librement vers le haut et le bas.
Pompe fonctionne, mais livre peu ou aucune eau	<ol style="list-style-type: none"> 1. Faible tension de ligne 2. Rotor bloqué 	<ol style="list-style-type: none"> 1. Si la tension est sous 108V, vérifiez la taille des fils. 2. Nettoyez le rotor.



Bomba de sumidero de pedestal



Bomba de sumidero de pedestal	
Anote el Número de serie indicado abajo en la calcomanía del producto.	
No. de serie	

Índice

Formulario de registro para el número de serie de la bomba	17
Información general sobre seguridad	
Área de trabajo	19
Seguridad eléctrica	19
Seguridad personal	20
Mantenimiento y reparación	20
Información específica sobre seguridad	
Aspectos de seguridad de la bomba de pedestal	20
Descripción y especificaciones	
Descripción	20-21
Especificaciones	21
Curva de rendimiento y tabla de rendimiento	21
Cómo armar e Instalar la bomba	
Para armar la bomba	21
Instalación	22
Ajustes y pruebas	23
Instrucciones de mantenimiento	23
Programa recomendado para el recambio de piezas	23
Servicio y reparación	23
Corrección de fallas	24
Garantía	Contraportada

Información general de seguridad

La seguridad es una combinación de sentido común, mantenerse alerta y comprender cómo funciona su bomba de sumidero.

Palabras de señales de seguridad

PELIGRO significa que si no se sigue la información de seguridad, alguien **sufrirá** graves lesiones o la muerte.

ADVERTENCIA significa que si no se sigue la información de seguridad, alguien **podría** sufrir graves lesiones o la muerte.

PRECAUCION significa que si no se sigue la información de seguridad, alguien **puede** lesionarse.

AVISO indica información importante, que si no se sigue, **puede** causar daños al equipo o inundaciones.

ADVERTENCIA Lea y comprenda todas las instrucciones. Pueden ocurrir descargas eléctricas, incendios, daños materiales y/o graves lesiones personales, si no se siguen todas las instrucciones indicadas a continuación.

¡CONSERVE ESTAS INSTRUCCIONES!

Área de trabajo

- PELIGRO**
 - No opere la bomba en atmósferas explosivas como, por ejemplo, en presencia de líquidos, gases o polvos inflamables. Los motores de la bomba generan chispas que pueden incendiar el polvo o los gases.
 - Mantenga a los transeúntes, niños y visitantes lejos del sitio de instalación cuando vaya a instalar la bomba. Las distracciones pueden ocasionar errores.

Seguridad eléctrica

ADVERTENCIA



- Esta bomba debe conectarse a una toma de corriente correctamente instalada y ponerse a tierra en conformidad con todas las ordenanzas y códigos aplicables. Nunca elimine la espiga de puesta a tierra ni modifique el enchufe de ninguna manera. No use enchufes adaptadores. Consulte a un electricista calificado si no está seguro de que la toma esté puesta a tierra. Si la bomba sufre un desperfecto eléctrico o se avería, la puesta a tierra proporciona una ruta de baja resistencia para llevar la electricidad lejos del usuario.
- La distribución del cableado eléctrico debe ser realizada por un electricista calificado. El cableado incorrecto puede acarrear descargas eléctricas fatales.
- No maltrate el cordón. Nunca use el cordón para transportar la bomba ni tire del cordón para desconectar el enchufe. Mantenga el cordón lejos del calor, aceite, bordes cortantes o piezas móviles, Reemplace inmediatamente los cordones dañados. Los cordones dañados aumentan el peligro de descargas eléctricas.
- Mantenga el motor fuera del agua. No permita que el motor se moje. Si se moja el motor, podrían ocurrir lesiones personales y/o muertes causadas por descargas eléctricas.
- La bomba debe conectarse a una toma de corriente que incluye un interruptor de circuito de tierra accidental (GFCI). En caso de fugas de corriente, el interruptor GFCI se dispara, reduciendo así el riesgo de graves lesiones o muerte por descargas eléctricas.

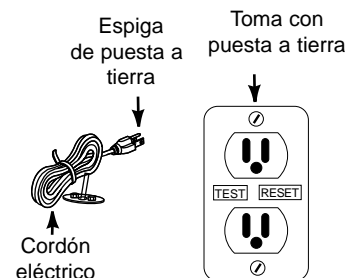


Figura 1

- Antes de usarlo, pruebe el interruptor (GFCI) para asegurarse de que esté funcionando correctamente. Un interruptor GFCI reduce el riesgo de descargas eléctricas.
- No use un cordón de extensión. El cordón de extensión aumenta el riesgo de descargas eléctricas. De ser necesario, instale una toma de corriente con una puesta correcta a tierra más cerca de la bomba.

Seguridad personal

⚠️ ADVERTENCIA

- **Manténgase alerta, atento a lo que esté haciendo y actúe con sentido común al instalar esta bomba. No intente instalar esta bomba si está cansado o bajo el efecto de drogas, alcohol o medicamentos.** Un solo momento de descuido puede ocasionar graves lesiones personales.
- **Vístase correctamente. No use ropas sueltas ni joyas. Sujete el cabello largo. Mantenga su cabello, sus ropas y sus guantes lejos de las piezas móviles.** La ropa suelta, las joyas o el cabello largo pueden quedar atrapados entre las piezas móviles.
- **No se estire excesivamente. Mantenga un equilibrio apropiado con los pies bien firmes en el suelo.** Una buena postura de los pies y un buen equilibrio permiten tener un mejor control en situaciones inesperadas.
- **Use los equipos de seguridad. Use siempre protección para los ojos.** También se deben usar zapatos antirresbalantes de seguridad, mascarilla antipolvo y casco en las condiciones apropiadas

Mantenimiento y reparación

⚠️ ADVERTENCIA

- **El mantenimiento y la reparación de la bomba deben estar a cargo de personal calificado únicamente.** Si estas tareas son realizadas por personas inexpertas podrían ocurrir graves lesiones y la anulación de la garantía.
- **Al reparar una bomba, use sólo piezas idénticas de repuesto. Siga las instrucciones en la Sección de mantenimiento de este manual.** Si no usa las piezas autorizadas o no sigue las instrucciones de mantenimiento, puede crear riesgos de severas descargas eléctricas o lesiones y causar la anulación de la garantía.

Información específica de seguridad

⚠️ ADVERTENCIA **Riesgo de descargas eléctricas. Esta bomba trae un enchufe con puesta a tierra. Para reducir el riesgo de descargas eléctricas, asegúrese de conectarlo a una toma de corriente con puesta correcta a tierra que esté protegida por un interruptor GFCI.**



Por su propia seguridad, antes de armar y operar esta unidad, lea cuidadosamente todo el Manual del Operador. Aprenda cómo funciona y se aplica esta unidad, así como sus riesgos peculiares.

Si tiene alguna pregunta, comuníquese con el Departamento de Servicios Técnicos de Ridge Tool Company llamando al (800) 519-3456.

Aspectos de seguridad de la bomba de pedestal

⚠️ PELIGRO



- **No use la bomba para bombear líquidos inflamables o explosivos como gasolina, petróleo combustible (fueloil), queroseno, solventes, diluyentes, etc. No la use en una atmósfera inflamable o explosiva. Esta bomba sólo debe usarse para bombear agua limpia.** El uso inadecuado puede causar graves lesiones y/o la muerte.

⚠️ ADVERTENCIA

- **Si hay agua o humedad en el piso o el suelo cerca de la bomba, no camine sobre el área húmeda hasta que se haya desconectado todo el suministro eléctrico. Si la caja de desconexión está en el sótano, llame a un electricista.** Si no sigue esta advertencia podrían producirse graves descargas eléctricas.
- **No sumerja el motor ni permita que el motor quede expuesto al agua.** Si no sigue esta advertencia, pueden ocurrir graves lesiones personales o la muerte.
- **Desconecte siempre la fuente de alimentación eléctrica antes de intentar instalar, reparar, reubicar o dar mantenimiento a la bomba. Nunca maneje una bomba o un motor de bomba con las manos húmedas o parado sobre una superficie húmeda o mojada o en el agua.** Si no se respeta esta advertencia podrían ocurrir graves lesiones personales o la muerte.
- **El motor de la bomba está equipado con un protector térmico de reposición automática que puede causar la reactivación inesperada del equipo.** Desconecte la fuente de suministro eléctrico cuando vaya a reparar la bomba.
- **No modifique ni coloque el interruptor flotante, de modo que la bomba funcione continuamente.** Esta bomba no está diseñada para funcionar continuamente y, por tanto, esto reducirá su rendimiento y la vida útil de la bomba.

Descripción y especificaciones

Descripción

Esta bomba de pedestal está diseñada para funcionar en sumideros domésticos únicamente. La unidad está equipada con un cordón eléctrico de 8 pies de largo (2.4 m) con tres espigas y puesta a tierra. El motor se enfría con el aire y NO ESTÁ diseñado para funcionar bajo el agua ni exponerse al agua. Un interruptor flotante proporciona operación automática para mantener el nivel del agua entre los puntos preajustados de fábrica.

AVISO

Esta bomba no está diseñada para manejar agua salada, salmuera, descargas de lavandería u otras aplicaciones que puedan contener agentes químicos cáusticos y/o materiales extraños. Esta bomba no es adecuada para su uso con fauna acuática. La bomba puede dañarse o averiarse, si se usa en estas aplicaciones y esto causará la anulación de la garantía.

AVISO

Se recomienda ampliamente usar un sistema de pila de reserva. Las suspensiones del servicio eléctrico, el flujo excesivo del agua, el disparo del interruptor G.F.C.I. y el desgaste de la bomba primaria pueden causar inundaciones. Un sistema de pila de reserva reduce este riesgo. Consulte a su distribuidor de Ridge Tool Company.

Especificaciones

Motor:

Tipo.....Fase dividida
 Capacidad. 115V, monofásica, 1/2 HP
 Amps 7.3

Bomba:

Circulación4100 GPH a cero pies

Curva de rendimiento

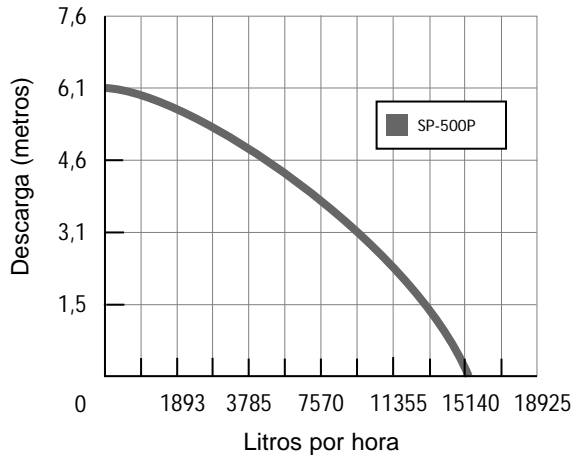


Tabla de rendimiento

Modelo	Cabeza de descarga	0m	1,5m	3,1m	4,6m
SP-500P	Litros/hora	15519	12718	9084	5223

Instalación:

Diámetro mínimo de la cuenca 11"
 Profundidad máxima de la cuenca 24"
 Descarga mínima 1-1/4" NPT

Cómo armar e instalar la bomba

PELIGRO



- Esta bomba sólo debe usarse para bombear agua limpia. No use esta bomba para bombear líquidos como gasolina, petróleo combustible (fueloil) o queroseno. No la use en atmósferas inflamables o explosivas. El uso incorrecto podría ocasionar lesiones personales y/o la muerte.

ADVERTENCIA

Para prevenir daños materiales, graves lesiones o muerte, se requiere la instalación correcta de la bomba. Por tanto, deben seguirse estos procedimientos:

- La bomba debe conectarse a una toma con puesta a tierra que incluya un interruptor de circuito de tierra accidental (GFCI) (Figura 1).
- No sumerja el motor ni permita que se exponga el motor al agua.
- Desconecte siempre la fuente de alimentación eléctrica antes de intentar instalar, reparar, reubicar o dar mantenimiento a la bomba. Nunca maneje la bomba o el motor de la bomba con manos húmedas o si usted está de pie sobre una superficie mojada o húmeda o en agua.

Para armarla

1. Inserte la varilla del flotante a través del orificio en la palanca del interruptor. (Figura 2).



Figura 2 – Conjunto del interruptor

2. Coloque el anillo protector de goma en la varilla del flotante provisionalmente.
3. Inserte a presión cuidadosamente la guía plástica de la varilla del flotante en la columna de la bomba e inserte la varilla del flotante en la guía. (Figura 3).
4. Use unos alicates para sujetar la varilla del flotante, atornille el flotante hasta que esté apretado como se muestra en la Figura 3.

Instalación

1. Construya una cuenca de concreto, acero o plástico para el sumidero que tenga 24 pulgadas (61 cm) de fondo y al menos 11 pulgadas (28 cm) de diámetro (Figura 3). Si ya hay un sumidero asegúrese de que tenga el tamaño correcto.
2. Asegúrese de que la toma de corriente esté puesta a tierra y tenga capacidad nominal para 115 voltios y al menos 15 amperios. La toma debe estar protegida por un interruptor de circuito de tierra accidental (GFCI) (Figura 1).

ADVERTENCIA El uso de una toma con puesta a tierra protegida con un interruptor GFCI reduce el riesgo de descargas eléctricas fatales.

3. Revise el cordón y el enchufe para detectar cualquier daño. Si el enchufe no tiene la espiga de puesta a tierra o el cordón está dañado, no instale la bomba.

ADVERTENCIA Nunca corte una espiga de puesta a tierra ni use un adaptador.

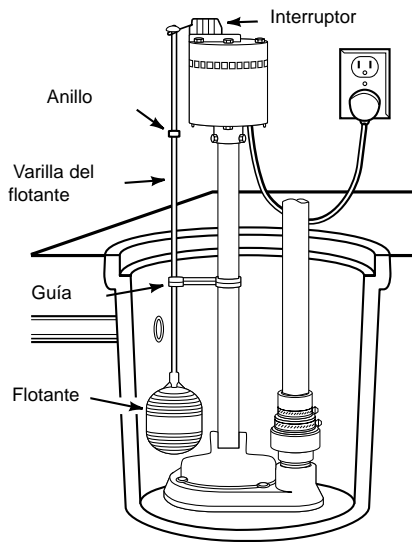


Figura 3 – Instalación de bomba de sumidero

ADVERTENCIA Soporte la bomba y la tubería al armar e instalar la bomba. Si no le da este soporte, la tubería puede romperse o la bomba puede caerse, causando daños materiales y/o lesiones personales.

4. Coloque la bomba en el sumidero. Sitúe la bomba sobre una superficie sólida nivelada.

AVISO No use la bomba directamente sobre arcilla, grava o en ninguna superficie de material suelto o arenoso. Estas superficies contienen piedrecitas o arena que pueden obstruir o dañar la bomba. Esto podría ocasionar daños a la bomba y daños materiales.

5. Esta bomba tiene una tubería de descarga de 1-1/2" NPT. Si la tubería existente tiene 1-1/4" NPT, es posible usar un buje o manguito adaptador (que no se incluye con la bomba). No use una tubería de descarga que tenga menos de 1-1/4" NPT. Una tubería demasiado pequeña causará un rendimiento deficiente.
6. Se requiere una válvula de retención (que no se incluye con la bomba) en la tubería de descarga para impedir el reflujo al desactivar la bomba. Es mejor instalar la válvula de retención directamente en el punto de descarga de la bomba. Enrosque una válvula de retención en el punto de descarga de la bomba.

AVISO Tenga cuidado para no desgastar los filetes de la rosca o enroscar mal la válvula. No use un agente sellador para tuberías.

AVISO La finalidad del uso de la manguera flexible de descarga es únicamente temporal. Para una instalación permanente se requiere el uso de un tubo rígido de PVC o metal. Si se usa temporalmente una manguera flexible de descarga, asegúrese de que la bomba esté sujeta firmemente a la cuenca del sumidero para evitar movimientos. La falta de una sujeción firme de la bomba puede permitir el movimiento de la bomba y causar una interferencia en el interruptor evitando que la bomba se ponga en marcha o se detenga. Esto podría causar una inundación o daños materiales y la anulación de la garantía.

¡IMPORTANTE! Asegúrese de que haya un espacio suficiente para que el interruptor flotante se mueva libremente durante la operación. Se requiere un espacio libre de 1 pulgada como mínimo.

7. Conecte un tubo rígido de 1-1/4 pulgadas de diámetro al manguito de goma en la válvula de retención (que no se incluye con la bomba). Voltee el manguito hacia el tubo de 1-1/2 pulg. de diámetro. Apriete las abrazaderas.
8. Inserte el enchufe del cordón de suministro eléctrico de la bomba directamente en la toma eléctrica de puesta a tierra de 115 voltios que está protegida mediante un interruptor de circuito de tierra accidental. (Figura 1).

ADVERTENCIA Cuando vaya a tender el cordón de alimentación eléctrica, protéjalo contra objetos cortantes, superficies calientes, aceites y agentes químicos. No doble ni tuerza el cordón; reemplace inmediatamente un cordón dañado.

Ajustes y pruebas

1. Llene la cuenca del sumidero con agua.
2. Ajuste el anillo protector de goma permanentemente en la varilla del flotante, de modo que la bomba se encienda cuando haya en la cuenca del sumidero 14 pulg. (35.5 cm) de agua aproximadamente.
3. Mientras la bomba está drenando la cuenca, verifique que el tubo de descarga está llevando el agua hasta un punto situado por lo menos a 4.5 m más allá del fondo de la cuenca.

AVISO

El tubo exterior debe estar inclinado hacia abajo para drenar. Esto ayuda a prevenir que los desechos entren en el tubo de descarga y asimismo evita que el agua retenida se congele, lo que puede dañar la bomba.

4. Instale la cubierta de la cuenca del sumidero (que no se incluye con la bomba) para prevenir que los desechos obstruyan o dañen la bomba.

Instrucciones de mantenimiento

⚠️ ADVERTENCIA

Desconecte siempre el suministro eléctrico o desenchufe la bomba antes de intentar instalar, reparar, reubicar o realizar cualquier tarea de mantenimiento. Si la fuente de alimentación eléctrica no está visible, bloquee y etiquete la posición abierta (en posición OFF de apagado) para prevenir la aplicación inesperada del suministro eléctrico. De no hacerlo así, usted puede sufrir una descarga eléctrica fatal. Sólo un electricista calificado debe intentar reparar esta unidad. La reparación inadecuada puede ocasionar descargas eléctricas fatales.

1. Compruebe el funcionamiento del Interruptor de circuito de tierra accidental (GFCI) cada mes.
2. Mantenga limpio y libre de todo objeto extraño el punto de entrada de la bomba. Revíselo una vez al año y limpie el sumidero según sea necesario.
3. Compruebe el buen funcionamiento de la bomba cada mes llenando el sumidero con agua hasta que la bomba se active.
4. Revise cada mes todas las conexiones de tuberías para detectar cualquier fuga o pieza aflojada.

¡NOTA! Desarmar el motor puede causar la anulación de la garantía.

Programa recomendado de recambio de piezas

Reemplace el interruptor de la bomba cada 2 años. Use el número de Cat. RIDGID 88487.

Reemplace el flotante cada 2 años. Use el número de Cat. RIDGID 88467

Reemplace el motor cada 5 años. el número de Cat. RIDGID 88462

Servicio y reparación

⚠️ ADVERTENCIA

Las tareas de mantenimiento y reparación en esta bomba deben ser realizadas por personal calificado de reparaciones. La bomba debe llevarse a un Centro Autorizado de Servicio RIDGID independiente o enviarse a la fábrica. Todas las reparaciones realizadas en los centros de servicio RIDGID están garantizadas contra defectos en materiales y mano de obra.

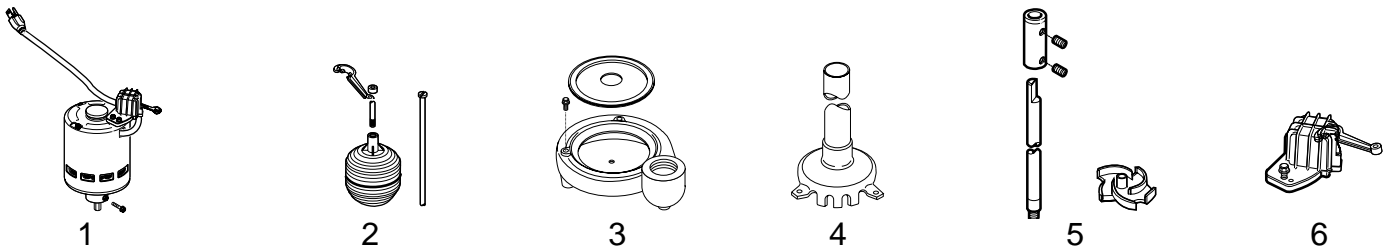
Al dar mantenimiento a esta bomba, sólo deben usarse piezas idénticas de repuesto marca RIDGID. Si no se respetan estas advertencias, habrá riesgos de inundaciones, daños materiales, descargas eléctricas fatales u otras graves lesiones.

Si usted tiene alguna pregunta respecto al servicio o reparación de esta máquina, llame o escriba a:

Ridge Tool Company
 Technical Services Department
 400 Clark Street
 Elyria, Ohio 44036-2023
 Tel: (800) 519-3456
 E-Mail: mail to:Tech Services@ridgid.com

Si desea conocer el nombre y la dirección del Centro Autorizado de Servicio independiente más cercano a su domicilio, comuníquese con Ridge Tool Company llamando al (800) 519-3456 o visite nuestra página de Internet en: <http://www.ridgid.com>

Figura	Descripción	Número de Cat.
1	Kit del motor	88462
2	Kit de la guía y del flotante	88467
3	Kit de volutas	88472
4	Caja superior de la bomba con cojinete y columna	88477
5	Kit del rotor	88482
6	Kit del interruptor	88487


CUADRO DE CORRECCIÓN DE FALLAS

Síntoma	Causa(s) posible(s)	Medida correctiva
La bomba no arranca ni funciona.	<ol style="list-style-type: none"> 1. Interruptor o fusible quemado 2. Bajo voltaje de línea 3. Motor desgastado 4. Interruptor desgastado 5. El rotor no está girando 6. Obstrucción del flotante 	<ol style="list-style-type: none"> 1. Si se quemó el fusible, reemplácelo con un fusible de tamaño apropiado o reajuste el interruptor. 2. Si el voltaje está por debajo de 108 voltios, revise el calibre del cable. 3. Reemplace el motor o la bomba. 4. Reemplace el interruptor (kit RIDGID de interruptor de pedestal Cat # 88487). 5. Desconecte la bomba de su fuente de alimentación eléctrica. Si el rotor no gira, retire la caja y elimine el bloqueo. 6. Asegúrese que el flotante se mueva libre arriba y abajo.
La bomba arranca y se detiene con demasiada frecuencia	<ol style="list-style-type: none"> 1. Reflujo del agua por la tubería 2. Flotante mal ajustado 	<ol style="list-style-type: none"> 1. Instale o reemplace la válvula de retención. 2. Ajuste el anillo.
La bomba no se apaga o el protector térmico se apaga	<ol style="list-style-type: none"> 1. Interruptor defectuoso 2. Obstáculo en la tubería 3. Flotante obstruido 	<ol style="list-style-type: none"> 1. Reemplace el interruptor. (kit RIDGID de interruptor de pedestal Cat # 88487). 2. Retire la bomba y limpie la bomba y la tubería. 3. Asegúrese que el flotante se mueva libre arriba y abajo.
La bomba funciona pero suministra poca o nada de agua	<ol style="list-style-type: none"> 1. Bajo voltaje de línea 2. Rotor taponado 	<ol style="list-style-type: none"> 1. Si el voltaje está por debajo de 108 voltios, revise el calibre del cable 2. Limpie el rotor.



What is covered

RIDGID® tools are warranted to be free of defects in workmanship and material.

How long coverage lasts

This warranty lasts for the lifetime of the RIDGID® tool. Warranty coverage ends when the product becomes unusable for reasons other than defects in workmanship or material.

How you can get service

To obtain the benefit of this warranty, deliver via prepaid transportation the complete product to RIDGE TOOL COMPANY, Elyria, Ohio, or any authorized RIDGID® INDEPENDENT SERVICE CENTER. Pipe wrenches and other hand tools should be returned to the place of purchase.

What we will do to correct problems

Warranted products will be repaired or replaced, at RIDGE TOOL'S option, and returned at no charge; or, if after three attempts to repair or replace during the warranty period the product is still defective, you can elect to receive a full refund of your purchase price.

What is not covered

Failures due to misuse, abuse or normal wear and tear are not covered by this warranty. RIDGE TOOL shall not be responsible for any incidental or consequential damages.

How local law relates to the warranty

Some states do not allow the exclusion or limitation of incidental or consequential damages, so the above limitation or exclusion may not apply to you. This warranty gives you specific rights, and you may also have other rights, which vary, from state to state, province to province, or country to country.

No other express warranty applies

This FULL LIFETIME WARRANTY is the sole and exclusive warranty for RIDGID® products. No employee, agent, dealer, or other person is authorized to alter this warranty or make any other warranty on behalf of the RIDGE TOOL COMPANY.

Ridge Tool Company
400 Clark Street
Elyria, Ohio 44036-2023



Ce qui est couvert

Les outils RIDGE® sont garantis contre tous vices de matériaux et de main d'oeuvre.

Durée de couverture

Cette garantie est applicable durant la vie entière de l'outil RIDGE®. La couverture cesse dès lors que le produit devient inutilisable pour raisons autres que des vices de matériaux ou de main d'oeuvre.

Pour invoquer la garantie

Pour toutes réparations au titre de la garantie, il convient d'expédier le produit complet en port payé à la RIDGE TOOL COMPANY, Elyria, Ohio, ou bien le remettre à un réparateur RIDGID® agréé. Les clés à pipe et autres outils à main doivent être ramenés au lieu d'achat.

Ce que nous ferons pour résoudre le problème

Les produits sous garantie seront à la discrétion de RIDGE TOOL, soit réparés ou remplacés, puis réexpédiés gratuitement; ou si, après trois tentatives de réparation ou de remplacement durant la période de validité de la garantie le produit s'avère toujours défectueux, vous aurez l'option de demander le remboursement intégral de son prix d'achat.

Ce qui n'est pas couvert

Les défaillances dues au mauvais emploi, à l'abus ou à l'usure normale ne sont pas couvertes par cette garantie. RIDGE TOOL ne sera tenue responsable d'aucuns dommages directs ou indirects.

L'influence de la législation locale sur la garantie

Puisque certaines législations locales interdisent l'exclusion des dommages directs ou indirects, il se peut que la limitation ou exclusion ci-dessus ne vous soit pas applicable. Cette garantie vous donne des droits spécifiques qui peuvent être éventuellement complétés par d'autres droits prévus par votre législation locale.

Il n'existe aucune autre garantie expresse

Cette GARANTIE PERPETUELLE INTEGRALE est la seule et unique garantie couvrant les produits RIDGID®. Aucun employé, agent, distributeur ou tiers n'est autorisé à modifier cette garantie ou à offrir une garantie supplémentaire au nom de la RIDGE TOOL COMPANY.



Qué cubre

Las herramientas RIDGID están garantizadas contra defectos de la mano de obra y de los materiales empleados en su fabricación.

Duración de la cobertura

Esta garantía cubre a la herramienta RIDGID durante toda su vida útil. La cobertura de la garantía caduca cuando el producto se torna inservible por razones distintas a las de defectos en la mano de obra o en los materiales.

Cómo obtener servicio

Para obtener los beneficios de esta garantía, envíe mediante porte pagado, la totalidad del producto a RIDGE TOOL COMPANY, en Elyria, Ohio, o a cualquier Servicentro Independiente RIDGID. Las llaves para tubos y demás herramientas de mano deben devolverse a la tienda donde se adquirieron.

Lo que hacemos para corregir el problema

El producto bajo garantía será reparado o reemplazado por otro, a discreción de RIDGE TOOL, y devuelto sin costo; o, si aún resulta defectuoso después de haber sido reparado o sustituido tres veces durante el período de su garantía, Ud. puede optar por recibir un reembolso por el valor total de su compra.

Lo que no está cubierto

Esta garantía no cubre fallas debido al mal uso, abuso o desgaste normal. RIDGE TOOL no se hace responsable de daño incidental o consiguiente alguno.

Relación entre la garantía y las leyes locales

Algunos estados de los EE.UU. no permiten la exclusión o restricción referente a daños incidentales o consiguientes. Por lo tanto, puede que la limitación o restricción mencionada anteriormente no rija para Ud. Esta garantía le otorga derechos específicos, y puede que, además, Ud tenga otros derechos, los cuales varían de estado a estado, provincia a provincia o país a país.

No rige ninguna otra garantía expresa

Esta GARANTIA VITALICIA es la única y exclusiva garantía para los productos RIDGID. Ningún empleado, agente, distribuidor u otra persona está autorizado para modificar esta garantía u ofrecer cualquier otra garantía en nombre de RIDGE TOOL COMPANY.