

- Soft Close Wood doors
- Soft Close and Full Extension drawers with Dovetail construction
- Under mount glides
- Matching finish throughout the interior
- Extend design with Optional 12", 15" & 18" Drawer Bridge, 15" Shelf Bridge and 35" max Bridge Panel
- Optional Drawer Organizer
- Matching Mirror, Medicine Cabinet and Wall Cabinet
- Handles meet USA standards: 4" center to center

All Ronbow cabinets are made of solid hardwood or hardwood plywood and meet strict CARB Standards. No particle Board or Micro-Density Fiberboard (MDF) are used.

Available finishes:

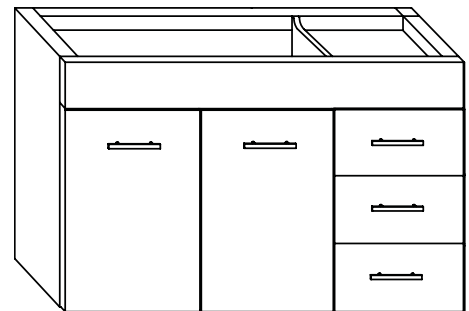
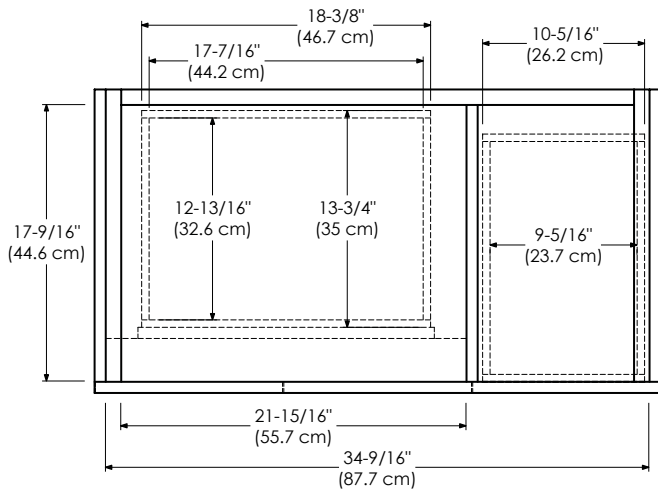
- CINNAMON F08
- DARK CHERRY H01
- WHITE W01

Available tops:

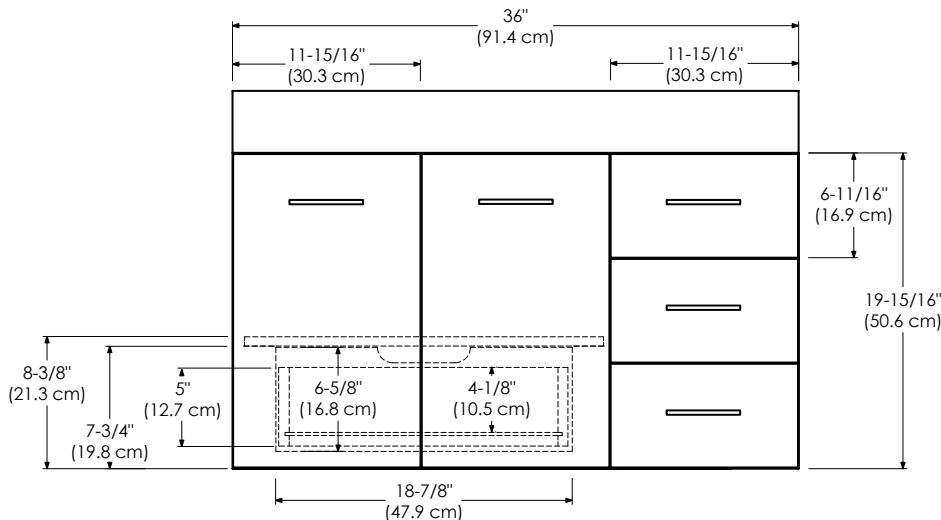
- CERAMIC SINKTOP
- GLASS SINKTOP
- TECHSTONE™ TOP
- WIDEAPPEAL™ TOP

Shown as left (L)

TOP VIEW



FRONT VIEW



SIDE VIEW

