

Model: 011223-F08 011231-L-H01
 011223-H01 011236-L-F08
 011231-L-F08 011236-L-H01

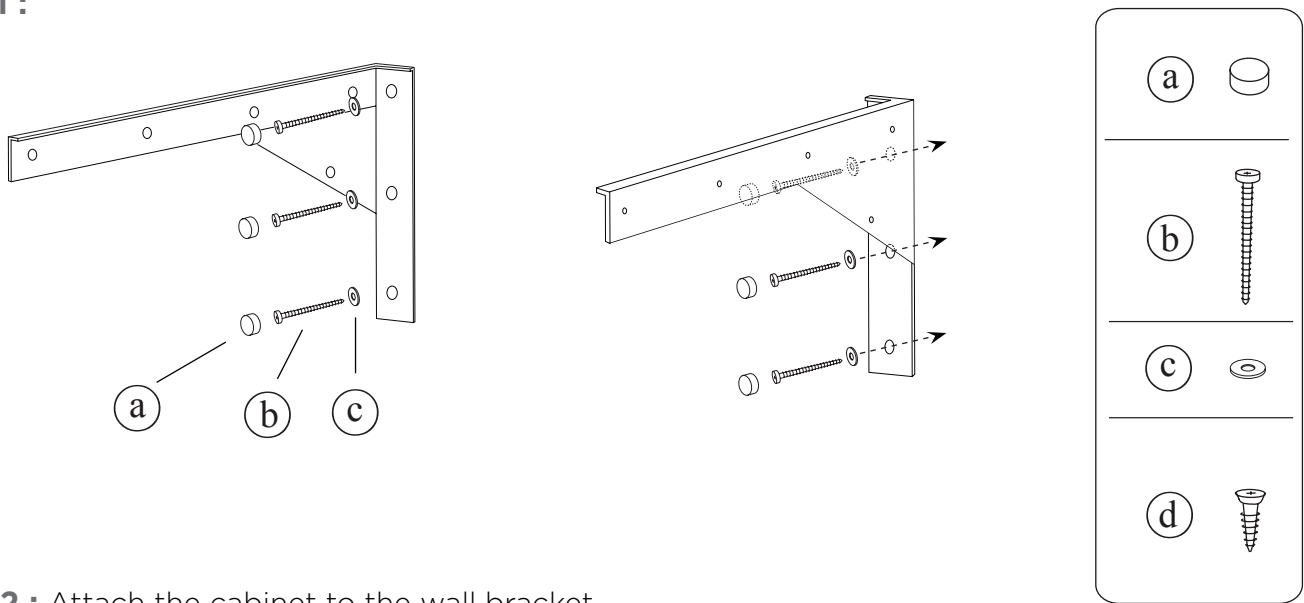
Wall Hung Collection

Notes : (U.S. Customers) Please disregard Plastic Anchors in hardware kit.

When installing cabinet onto a hollow wall, the use of a horizontal reinforcement beam such as a 2" x 8" or 2" x 10" spanning at least two vertical studs is required.

Cabinets that are installed onto a hollow wall without a reinforcement beam will void the manufacturer warranty.

Step 1 :



Step 2 : Attach the cabinet to the wall bracket.

