



NE597R0ABSR

5.9 cu. ft. Freestanding Electric Range

Features

- Five Radiant Electric Cooktop Elements
 - One Triple Burner
 - One Dual Burner
 - Two Single Burners
 - Warming Center
- True Convection Oven (3 fan)
- SteamQuick™ (20 min. Oven Cleaning) and Self Clean
- Four Preset Menu Cook Options
- Warming Drawer
- Large Window Design

Convenience

- Hot Surface Indicator Light
- Auto Oven Light (2)
- Proofing
- Sabbath Mode
- Kitchen Timer
- Delay Start
- Child Safety Lock
- Self-Clean (2 / 3 / 4 hrs.)
- 4 Easy Cook Pre-Sets
- Custom Cook
- Defrost
- 3 Chrome Oven Racks



Easy to use cook top and oven with a 1.4 cu. ft. Warming Drawer.



Controls at your fingertips with an easy to read LED display.



Generous 5.9 cu. ft. cavity has more flexibility with a divider.

Signature Features

Available Colors



Stainless Steel (shown)

Three-Fan True Convection

Three-Fan True Convection ensures even and faster cooking by circulating heated air throughout the oven.

Large Capacity

Our extra-spacious 5.9 cu. ft. large capacity oven easily handles turkey roasters and large baking sheets.

Five Burner Cooktop

Boil water, simmer sauce or melt chocolate – there’s a burner for your needs.



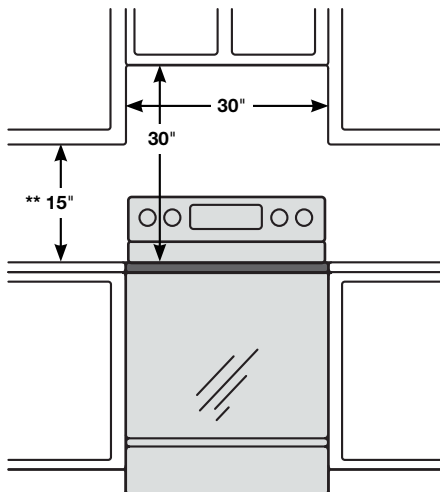
NE597R0ABSR

5.9 cu. ft. Freestanding Electric Range

Installing your Range

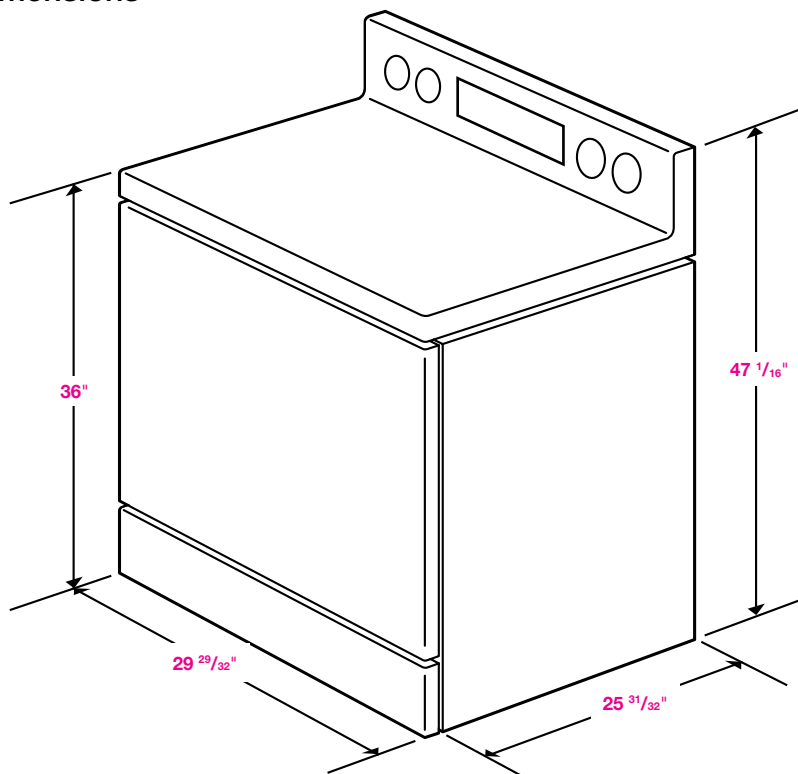
* 30" minimum clearance between the top of the cooking surface and the bottom of an unprotected wood or metal cabinet; or 24" minimum when the bottom of the wood or metal cabinet is protected by not less than 1/4" flame retardant millboard covered with not less than no.28 MSG sheet steel, 0.015" stainless steel, 0.024" aluminum or 0.020" copper.

** 15" minimum between the countertop and the adjacent cabinet bottom.



IMPORTANT: To eliminate the risk of burns or fire caused by reaching over heated surface units, cabinet storage space located above the surface units should be avoided. If cabinet storage is to be provided, the risk can be reduced by installing a range hood that projects horizontally a minimum of 5" beyond the bottom of the cabinets.

Dimensions



Power Source

240 V / 60 Hz

Induction/Radiant Ceramic Cooktop

- Right Front: Radiant 6 / 9 / 12", 3.0 KW – Fast Boil
- Left Front: Radiant 6 / 9", 3.0 KW – Fast Boil
- Right Rear: Radiant 6", 1.2 KW
- Left Rear: Radiant 6", 1.2 KW
- Center Rear: Warming Center, 100 W

Oven

- Hidden Bake Element: 3000 W
- Convection Bake: 150°F - 550°F
- Convection Roast: 150°F - 550°F
- Broil Element: 3800 W
- Convection Element/Heater: 1300 W
- Broil: Low / Hi (375°F / 450°F)
- Proofing
- Sabbath Mode

Warming Drawer

- Capacity – 1.4 cu. ft.
- Heating Performance: 600 W
- Temperature Settings: High, Medium, Low

Warranty

One (1) Year All Parts and Labor
One (1) Year Electric Cooktop

Product Dimensions + Weight

Actual Oven Dimensions

(WxHxD) 25" x 20 25/32" x 18 15/16"

Outside Net Dimensions:

(WxHxD) 29 29/32" x 47 1/16" x 25 31/32"

Weight: 166 lbs / 75.3 kg

Shipping Dimensions + Weight

Dimensions: (WxHxD) 32 7/8" x 50 13/32" x 30 1/8"

Weight: 194 lbs / 88 kg

Color	Model #	UPC Code
Stainless Steel	NE597R0ABSR	036725570726