



SMH2117S

2.1 cu. ft. Over-the-Range Microwave

Features

- 2.1 cu. ft. Oven Capacity
- 1000 Watts Cooking Power
- 400 CFM Ventilation System
- Charcoal / Grease Vent Filter
- 10 Power Levels
- 12 Sensor Cook Options
- Four Instant Cook Pads
- Two-Stage Programmable Cooking
- Auto Defrost / Sensor Reheat
- Auto Cook: Kids Meals (4), Snacks (4), Soften / Melt (4), 1 Lb Defrost, Auto Defrost, Custom Cook

Convenience

- Chrome Rack
- Clock (12hr / 24hr) with Daylight Savings time Adjustment
- Kitchen Timer
- End Signal
- Interior Light: Halogen (1)
- Cooktop Lighting (2) High / Low / Off
- Vent Fan Control: High / Medium / Low / Off
- Child Safety Lock
- Sound On / Off
- Eco Mode (reduces standby power)
- Ceramic Enamel Interior
- LED cook top light



Stylish design compliments Samsung brand kitchen appliances.



Enough space to reheat up to four dinner plates at once due to a large 2.1 cu. ft. capacity.



Digital touch control lets you easily program the desired cooking time and power. Features a blue 2 Line VFD Display – compliments any kitchen decor.

Signature Features

Available Colors

- Stainless Steel (shown)

LED Cooktop Light

LED lighting , gently brightens every corner. Emits less heat and more energy efficient than traditional lighting.

2.1 cu. ft. Family Size Capacity

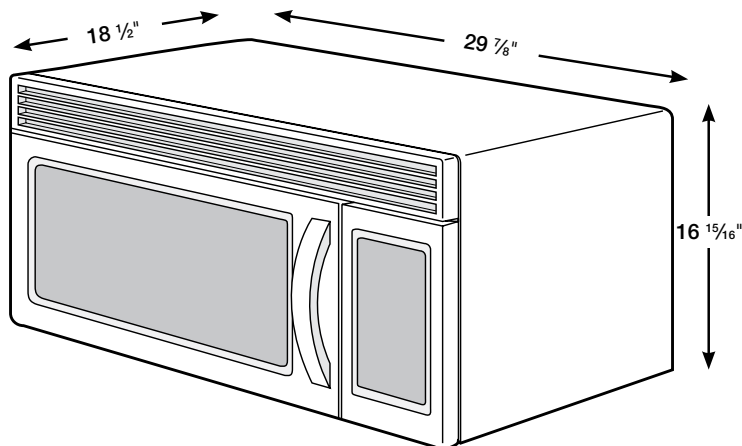
The largest oven capacity and ease of use make this the perfect microwave oven for your large family.

Ceramic Enamel Interior

A ceramic enamel interior allows grease and oil to be easily wiped off the interior walls of the oven with a damp cloth, as well as being highly scratch resistant.

SMH2117S

2.1 cu. ft. Over-the-Range Microwave

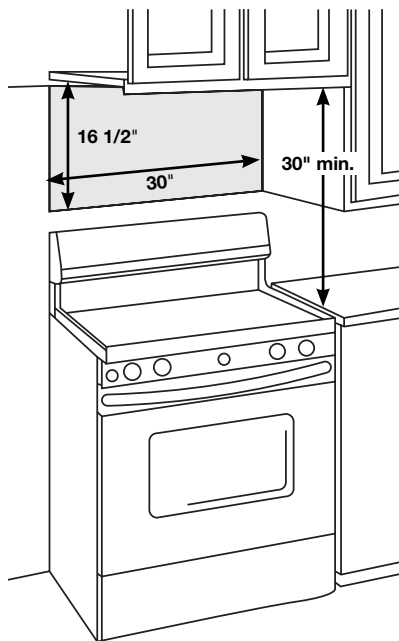


Installing your Microwave

This microwave oven is designed for adaptation to the following three types of ventilation:

- A. Outside Top Exhaust (Vertical Duct)
- B. Recirculating (Non-Vented Ductless)
- C. Outside Back Exhaust (Horizontal Duct)

- The space between the cabinets must be 30" wide and free of obstructions.
- This microwave oven is for installation over ranges up to 36" wide.
- The Microwave must be level. Use a level to make sure the cabinet bottom is level. If the cabinets have a front overhang only, with no back or side frame, install the mounting plate down the same distance as the front overhang depth. This will keep the microwave level. depth of the front overhang.



FOR EASIER INSTALLATION AND PERSONAL SAFETY, WE RECOMMEND THAT TWO PEOPLE INSTALL THIS MICROWAVE OVEN. IMPORTANT: Do not grip or use handle during installation.

NOTE: If your cabinet is metal, use the nylon grommet around the power cord hole to prevent cutting of the cord.

NOTE: We recommend using filler blocks if the cabinet front hangs below the cabinet bottom shelf.

IMPORTANT: If filler blocks are not used, case damage may occur from over tightening screws.

NOTE: When mounting the microwave oven, thread power cord through hole in bottom of top cabinet. Do not pinch cord or lift oven by pulling cord.

Specifications

- Oven Cavity: 2.1 cu. ft.
- Power Output: 1000 W
- Power Consumption: 1700 W / 14.5 A
- Power Source: 120 V / 60 Hz
- Control Method: Digital (Bottom Control Membrane Touch)
- Display: 2 Line VFD
- Cooking Control: 10 Power Levels including Defrost and 12 Sensor Cook Options
- Cooking Timer: Digital, up to 99 Minutes, 99 Seconds
- Microwave Distribution System: Rotating Turntable
- Glass Turntable Diameter: 14 3/16"
- Chrome Rack (1)
- Vent Fan: 400 CFM
- Vent Fan Control: On / Off / Delay Off
- Cooktop Lighting: High / Low / Off
- Interior Light: Halogen

Warranty

One (1) Year All Parts and Labor
Ten (10) Years Parts on Magnetron

Product Dimensions + Weight

Cavity Dimensions

(WxHxD) 22 1/8" x 10 13/16" x 14 13/16"

Unit Outside Net Dimensions

(WxHxD) 29 7/8" x 16 15/16" x 18 1/2"

Weight: 55.9 lbs / 25.4 kg

Shipping Dimensions + Weight

Dimensions: (WxHxD) 33 5/8" x 19 7/16" x 20 1/16"

Weight: 64.2 lbs / 29.2 kg

Color

Stainless Steel

Model

SMH2117S

UPC Code

036725560468