

ME21F606MJT

OTR Microwave

Features

- Extra-Large 2.1 cu. ft. Capacity
- 1000 W of cooking power, with sensor cooking to heat food the correct amount of time
- LED Cooktop Light
- Ceramic Enamel Interior
- Eco Mode (reduces standby power)
- Cooking Control: 10 power levels including defrost and sensor cook options
- Rotating Glass Turntable
- Stainless Steel Touch Controls
- 2-Line VFD Display
- 400 CFM Ventilation System

Convenience

- Kitchen Timer
- Clock (12hr/24hr) with Daylight Saving Time Adjustment
- Child Safety Lock
- Reminder End Signal
- Auto Night Light



LED Cooktop Light



Ceramic Enamel Interior

Available Color



Stainless Steel

Signature Features



2.1 cu. ft. Capacity

BIG SPACE FOR BIG RESULTS

- 2.1 cu. ft. inside accommodates large platters and dishes, which typically do not fit in the average, mid-size 1.5 cu. ft. microwave.
- A perfect option for large families.



LED Cooktop Light

SAVES ENERGY WHILE ILLUMINATING YOUR COOKTOP

- The industry's only LED cooktop light.*
- LED lights are significantly brighter and more energy efficient than halogen or incandescent bulbs.**
- Evenly distributes a soft, bright light across your cooktop.

*As of March 2013.

**Power consumption for Samsung standard OTR incandescent bulbs is 40 W as compared to LED, which is 2.4 W (energy savings).



Ceramic Enamel Interior

SCRATCH RESISTANT, AND EASY TO CLEAN

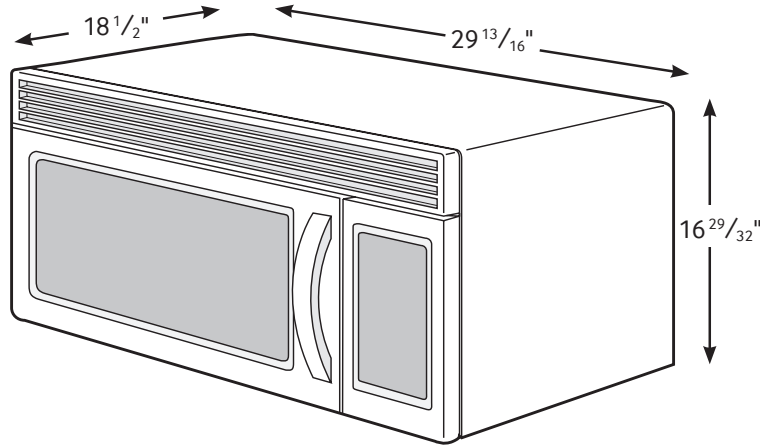
- Durable ceramic enamel interior provides a polished surface that's easy to maintain.
- Effortlessly remove grease or oil from surfaces.
- Protects against scratches that occur from daily use.

SAMSUNG

ME21F606MJT

OTR Microwave

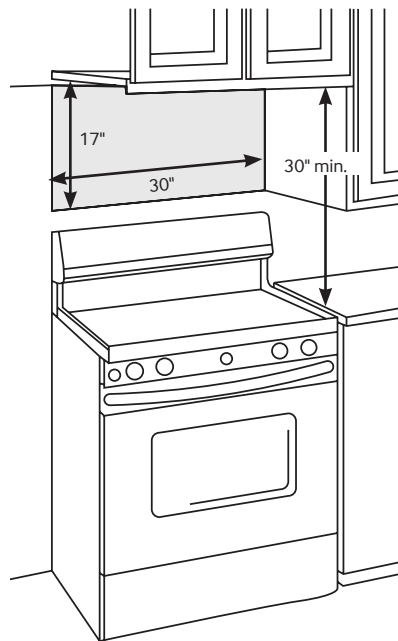
Installing Your Microwave



This microwave oven is designed for adaptation to the following three types of ventilation:

- A. Outside Top Exhaust (Vertical Duct)
- B. Recirculating (Non-Vented Ductless)
- C. Outside Back Exhaust (Horizontal Duct)

- The space between the cabinets must be 30" wide and free of obstructions.
- This microwave oven is for installation over ranges up to 36" wide.
- The Microwave must be level. Use a level to make sure the cabinet bottom is level. If the cabinets have a front overhang only, with no back or side frame, install the mounting plate down the same distance as the front overhang depth. This will keep the microwave level. depth of the front overhang.



Capacity

2.1 cu. ft.

Power Output

1000 W

Power Consumption

1700 W / 14.5 A

Power Source

120 V / 60Hz

Vent Fan

400 CFM

Warranty

One (1) Year All Parts and Labor
Ten (10) Years Parts on Magnetron

Product Dimensions & Weight (WxHxD)

Outside Dimensions:

29 13/16" x 16 29/32" x 18 1/2"

Interior Cavity Dimensions:

22 1/8" x 10 13/16" x 14 13/16"

Weight: 56 lbs.

Shipping Dimensions & Weight (WxHxD)

Dimensions: 33 5/16" x 20 3/4" x 16 29/32"

Weight: 65 lbs.

Color

Stainless Steel

Model

ME21F606MJT

UPC Code

887276857220

FOR EASIER INSTALLATION AND PERSONAL SAFETY, WE RECOMMEND THAT TWO PEOPLE INSTALL THIS MICROWAVE OVEN.

IMPORTANT: Do not grip or use handle during installation.

NOTE: If your cabinet is metal, use the nylon grommet around the power cord hole to prevent cutting of the cord.

NOTE: We recommend using filler blocks if the cabinet front hangs below the cabinet bottom shelf.

IMPORTANT: If filler blocks are not used, case damage may occur from over tightening screws.

NOTE: When mounting the microwave oven, thread power cord through hole in bottom of top cabinet.

Do not pinch cord or lift oven by pulling cord.

SAMSUNG