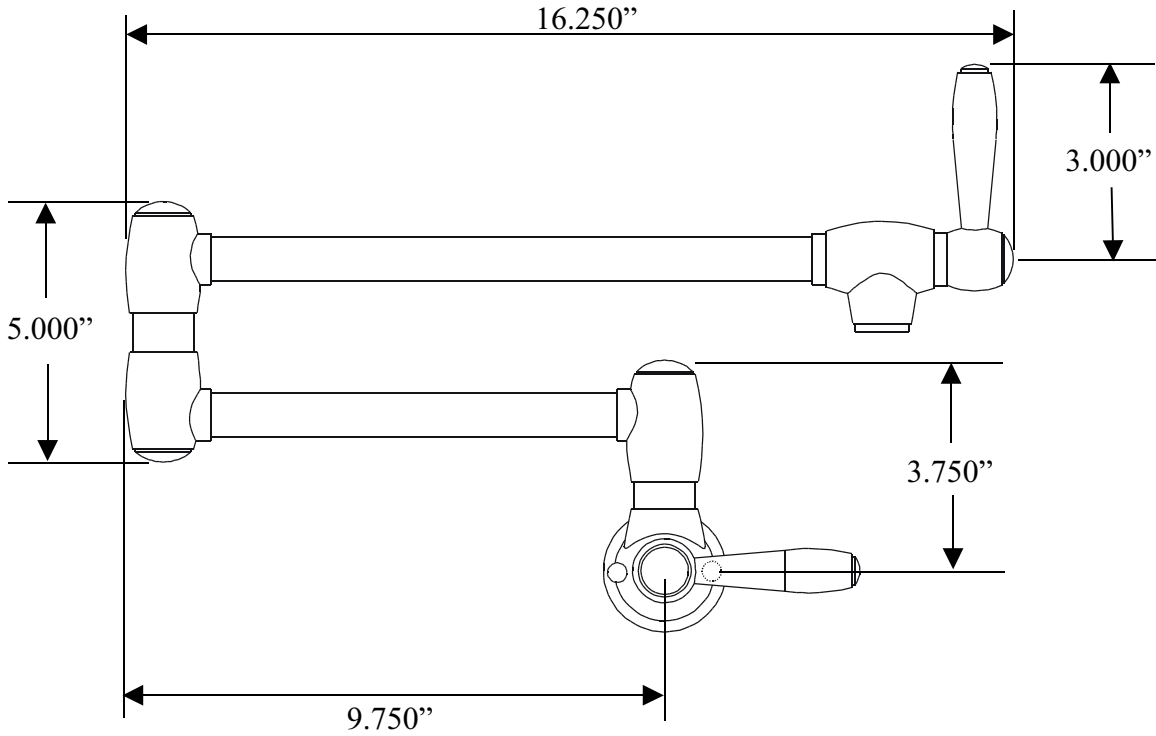


GENERAL DIMENSIONAL DRAWING



SANTEC Inc.	3501 CHALLENGER ST. TORRANCE, CA 90503
DATE	July 10, 2007
ITEM#	5275DL
DESCRIPTION	Dual Pot Filler