



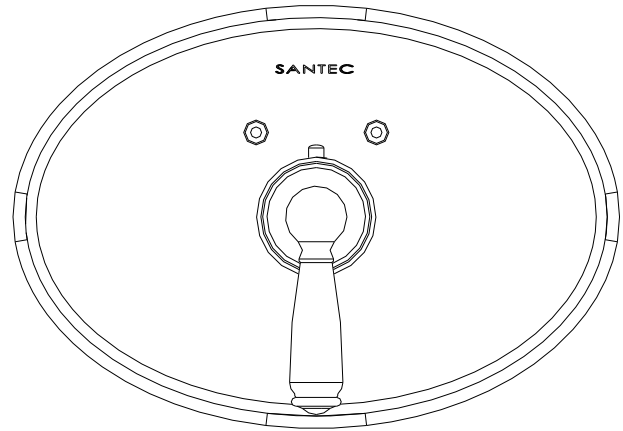
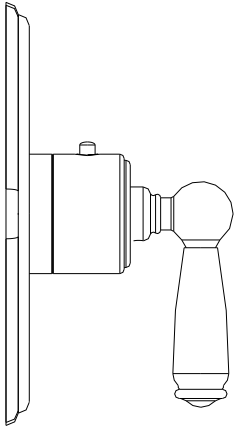
COLLECTION

THERMOSTATIC CONTROL

PLEASE READ THE INSTRUCTIONS COMPLETELY
BEFORE BEGINNING THE INSTALLATION.

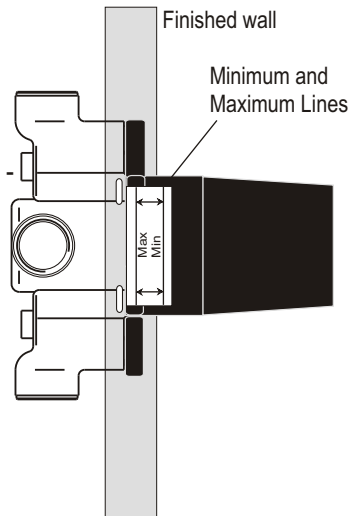
This is a general installation instruction
for the following collections:

- * Caprie
- * Heritage
- * Dome
- * Vantage



KEEP THIS INSTRUCTION BOOKLET FOR FUTURE REFERENCE

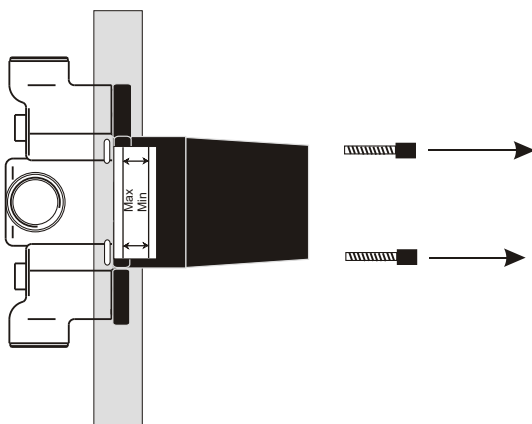
Rough installation



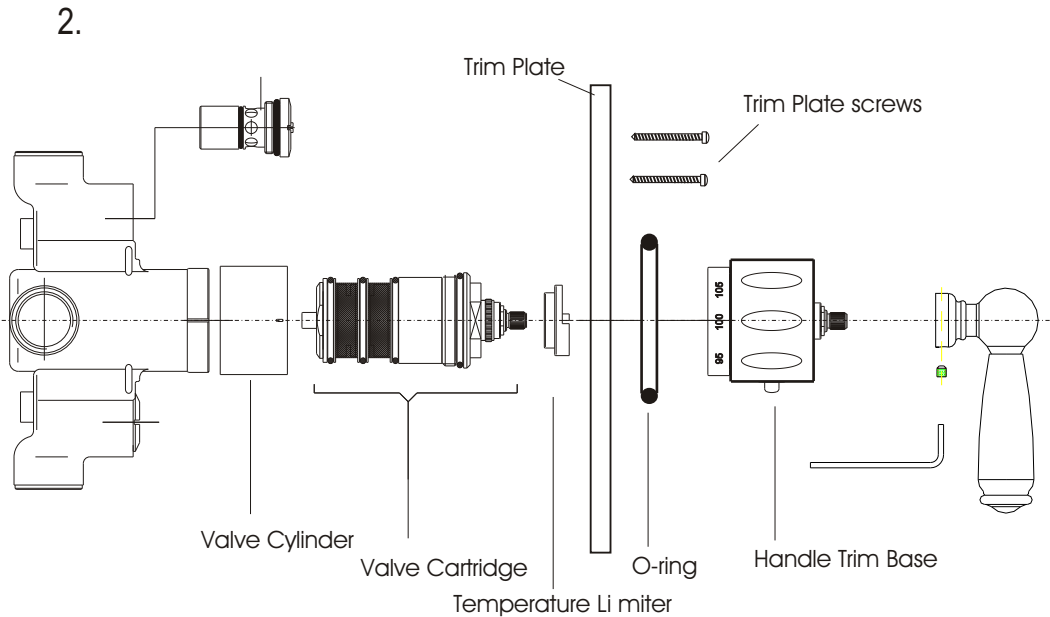
- Turn the water supplies off.
- Remove all the trim items (plate and handle) before installation.
- Secure the valve firmly against the stub.
- Make sure that the shower out let is in the up position.
- Flush or raise grouting on the tiled wall surface.
- Connect the supply lines to the valve inlets.
- The rough depth must fall within the minimum/maximum guidelines marked on the plaster guard.
- For both functional and esthetic reasons, the valve must be leveled horizontally.
- When soldering the inlet connection, make sure that all internal parts are removed to avoid damages to the non-metal parts.
- If only the shower portion of the valve will be used, keep the tub outlet plugged at all time.

Trim installation

1.



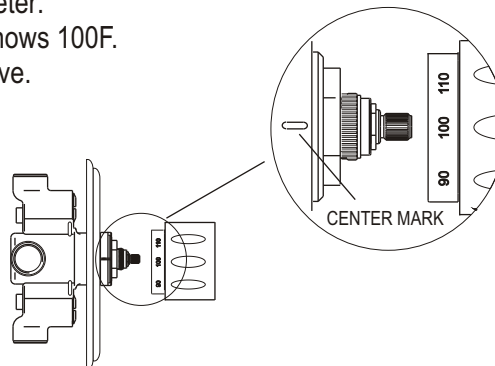
- Remove the screws from the plaster guard.
- Remove the plaster guard.



- After the plaster guard is taken off. Insert the valve cylinder into the valve. Align it in to the proper slot. Place silicone caulk around the valve cylinder and valve to secure.
- Slip the trim plate with the o-ring, which is placed inside the groove in the trim plate.
- Make sure the plate goes on the valve cylinder smoothly till the end.
- Put on handle trim base on the top of it, aligning the spline grooves.
- Put on the two screws on the trim plate to secure it against the wall.
- Put on the handle in the splined groove and secure it with a set screw.
- Align the 100F on the handle base against the blue line drawn on the valve.
- Screw the handle cap onto the handle base.

IF THE ACTUAL WATER TEMPERATURE IS DIFFERENT FROM THE DIAL

- If the actual water temperature differs from what is shown on the temperature dial.
 - 1- Take the handle off.
 - 2- Turn the water on through the volume control, measure the actual water temperature with a regular thermometer.
 - 3- Turn the dial until the thermometer shows 100F.
 - 4- Remove the dial handle from the valve.
 - 5- Align the 100F with the center mark of the valve cylinder.
 - 6- Insert the handle into the cartridge
 - 7- Tighten the screw and insert the cap.



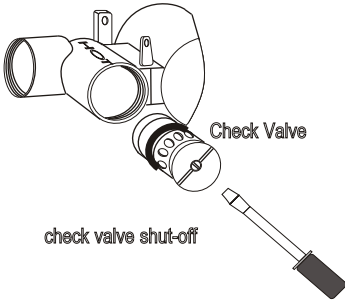
Maintenance

Filter cleaning

During the installation or through the years of use, debris and impurities may clog the filters in the both inlets, causing the water to be restricted or decreased considerably.

Please follow these instructions to clean the filters:

- 1- Shut off the water supply.
- 2- Remove the handle screw, handle trim, trim plate screws and the plate.
- 3- Remove the check valves using a slot screw driver. Turn counter-clockwise to screw them.
- 4- Check for debris deposited on the screen underneath the check valve.
- 5- Flush the debris with water.
- 6- Reinstall the valves.

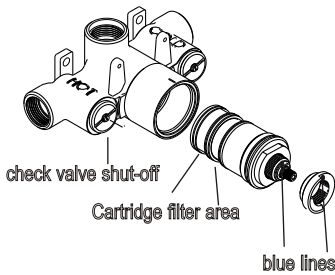


- To fully open the water flow through the valve, make sure the check valve shut off mechanism is fully open. (Turn the mechanism counter-clockwise to increase the water flow).

Cartridge Cleaning

After years of use, impurities and lime scale can restrict the water flow. To clean the cartridge, please follow these instructions:

- 1- Remove the handle screw, handle trim, trim plate screws and the plate.
- 2- Shut off the waterline by turning the check valve shut off mechanism clockwise. Make sure that the both hot and cold sides are closed.



- 3- Remove the cartridge using a 30mm wrench.
- 4- Wash the filter under running water or soak it with vinegar or de-scaling agent.
- 5- Reassemble the cartridge. make sure that the blue lines on the cartridge are aligned.
- 6- Open the check valve shut off mechanism, turn on the water and check water flow.
- 7- If the water flow is normal, reassemble the trims. The temperature dial should be set at 38F (align with the both blue lines at the center point).

General characteristic

- Santec thermostatic valve is suitable for most water heater systems provided it is installed correctly.
- Low pressure storage heaters are not recommended for this application.

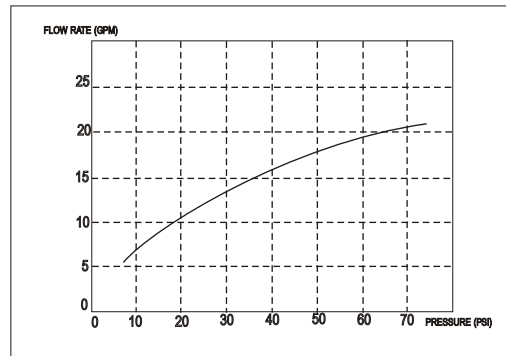
NOTE: This Thermax valve model does not have an integral volume control. Separate volume control units are required

Specifications

Temperature

- Maximum temperature : 140F
- Temperature dial range: 60F to 140F
- Temperature Limiter set at 100F

FLOW RATE CHART



Operation Pressure

- Minimum 7 PSI
- Maximum 75PSI

NOTE: For pressure greater than 75 PSI, pressure reducing valve is required

