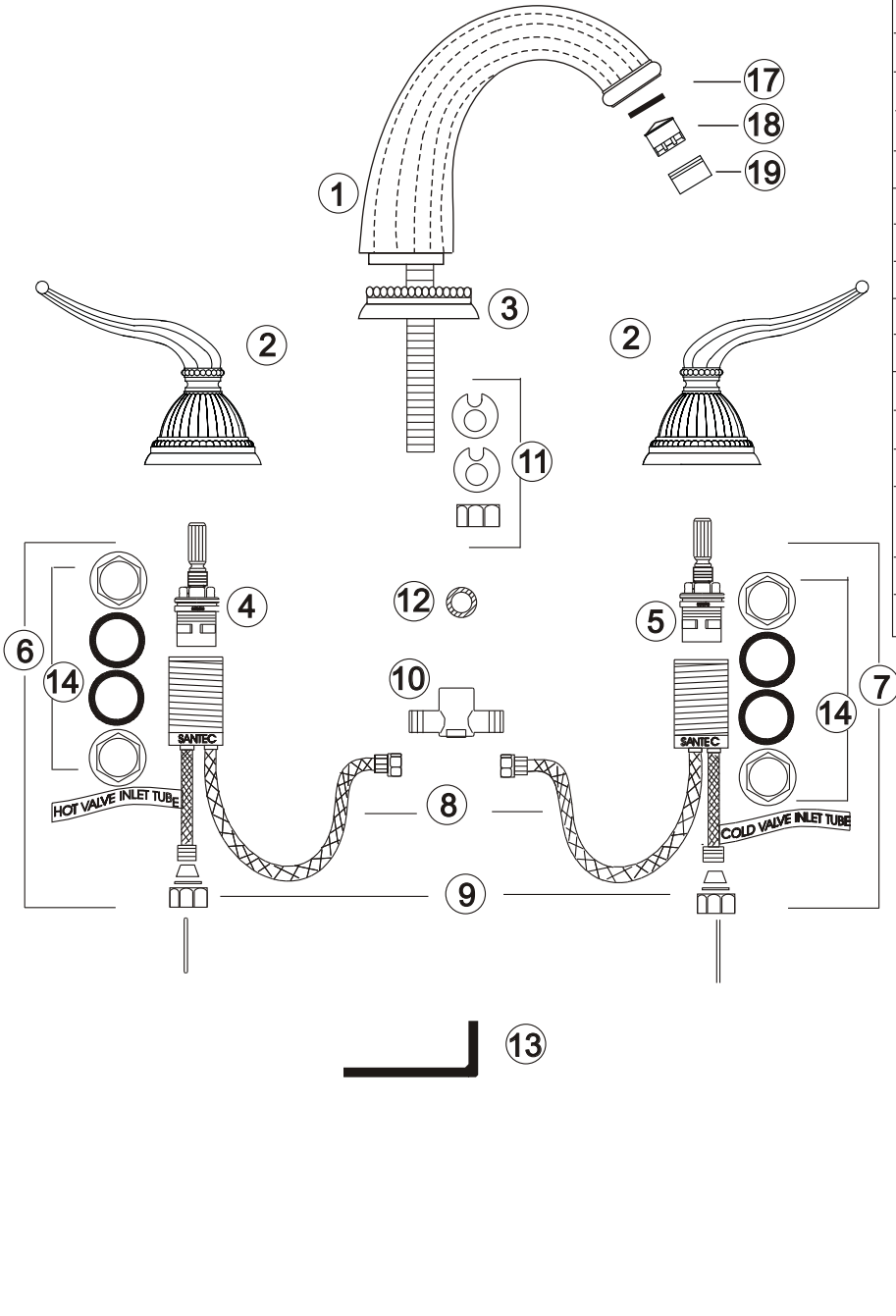
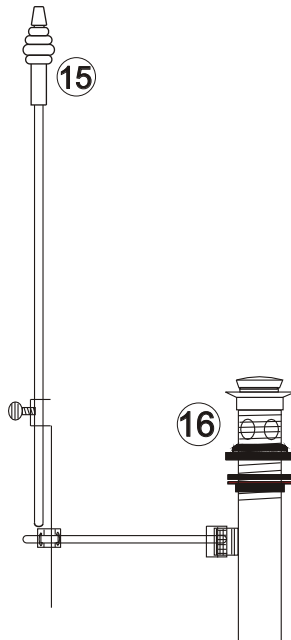


MONARCH COLLECTION WIDESPREAD FAUCET WITH "FL" HANDLES



#	PART DESCRIPTION	PART #
1	Complete Spout Assembly *	PS-2M00S
2	Complete LL Lever Handle Assembly *	00FL
3	Spout Flange *	PH2210
4	Hot Cartridge Only	P0410
5	Cold Cartridge Only	P0411
6	Complete Hot Valve	P0458
7	Complete Cold Valve	P0459
8	Connecting Hose to the Tee	P0441
9	Connecting Hose to the Supply Line	P0440
10	Tee Connector	P0427
11	Spout Mounting Hardware	P0431
12	Washer for the Tee Connector	
13	Allen Key for Handle Set Screws	
14	Valve Body Mounting Hardware	
15	Lift Knob and Lift Rod *	
16	Complete Pop-Up *	P0202
17	Aerator Washer	PM-306
18	Aerator Basket with Restrictor	PM-305
19	Aerator Housing *	P0952-U

* Please specify the finish when ordering the part.



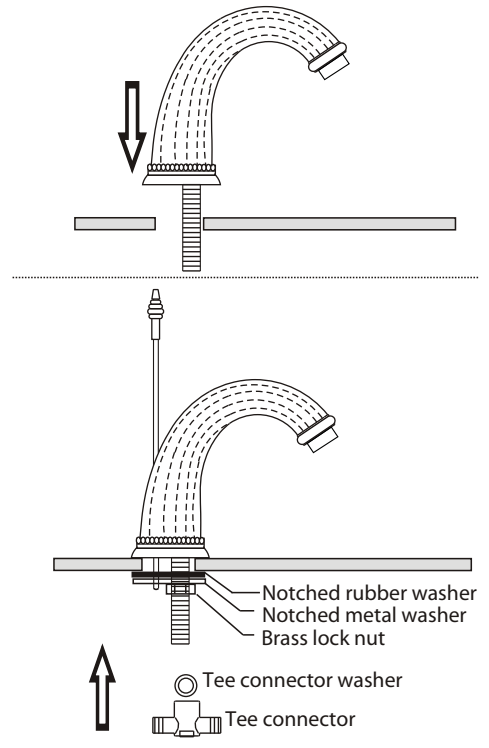
FLUSH BOTH SUPPLY LINES BEFORE INSTALLATION

AFTER FLUSHING , SHUT OFF BOTH SUPPLY LINES.

MINIMUM HOLE SIZE FOR THE SPOUT AND HANDLE TRIM IS 1 1/4" AND MAXIMUM OF 1 1/2"

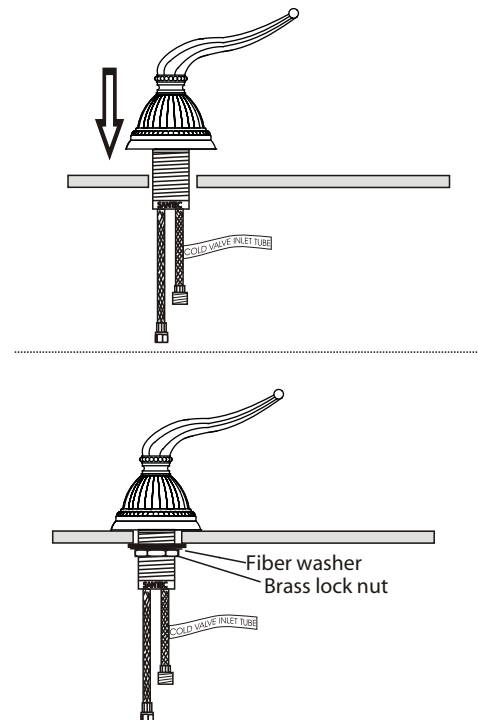
SPOUT INSTALLATION

- 1
 - Remove the tee connector (10), spout mounting hardware (11) and tee connector washer (12) from the bottom of the spout assembly. Apply a ring of silicon caulking around the center hole on the top of the sink. Do not use plumbers' putty which can damage the finish of the faucet.
 - From the top of the deck, insert the spout's threaded shank through the center hole of the sink.
- 2
 - Slip the spout mounting hardware (11) back onto the spout. First the notched rubber washer, then the notched metal washer and lastly the brass lock nut. Hand tighten the lock nut
 - Place the pop-up lift rod with the knob (15) through the back hole in the spout and rotate the notched washers until the lift rod passes through the notch.
 - Tighten the lock nut. Make sure the lift rod operates smoothly. Adjust it if necessary.
 - Place the tee connector washer (12) into the tee connector (10) and thread the tee connector onto the end of the spout shank. Tighten to seal.
 - Align the spout and tighten the shank lock nut (11) firmly



HANDLE TRIM INSTALLATION

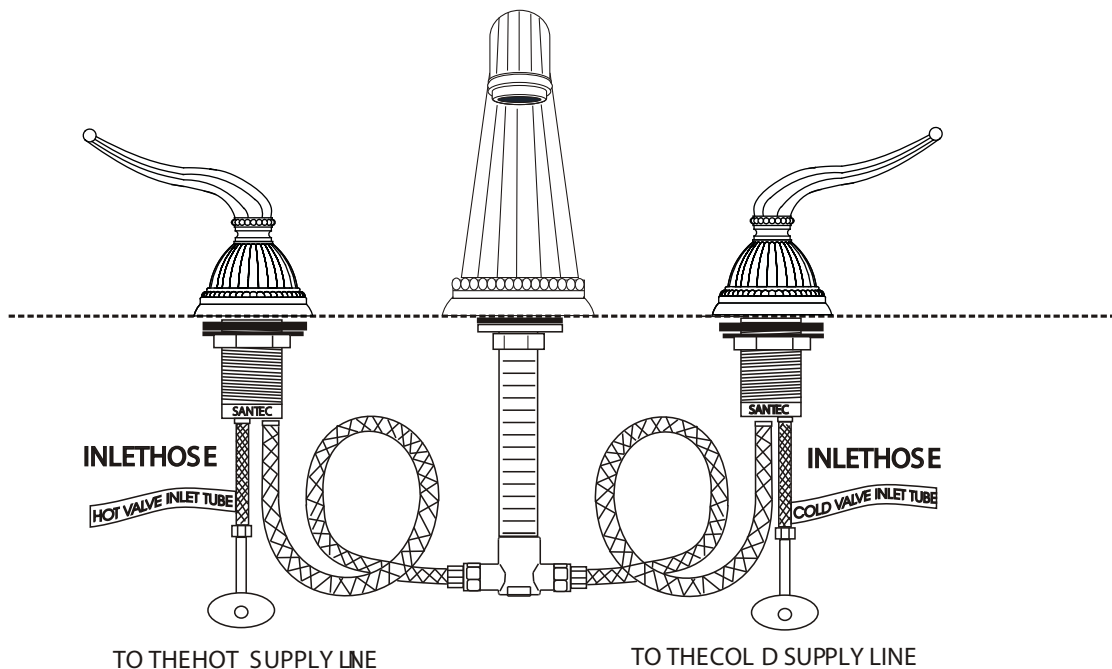
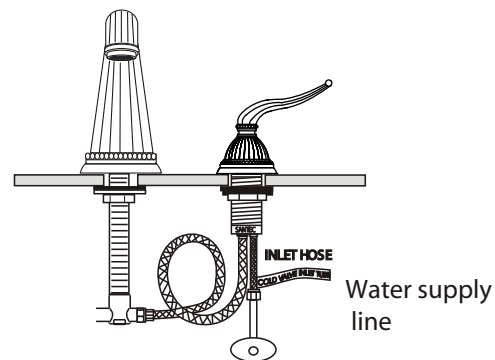
- 1
 - For proper handle turning direction, install the handle with the "cold" blue label (7) at the right side of the spout (looking from the front) and the handle with the "hot" red label at the left side of the spout.
 - Both hot and cold side handle trims are pre-assembled for faster installation.
 - Remove the valve body mounting hardware (14) from the valve body. Slip the valve body's flexible hoses from the top of the sink or counter through the appropriate hole next to the spout. Aim the tee connecting hoses (8) toward the tee connector (10).
- 2
 - From beneath of the basin or counter, screw the valve body mounting hardware (14) back to the valve body. First the fiber washer, then the brass lock nut.
 - Align the handle lever handle properly against the spout. Tighten the lock nut until it secures the valve body firmly.



3

- Loop and connect the flexible hoses (8) to the tee (10). Tighten to avoid leakage.
- Connect and tighten the Inlet hoses (9) to the supply lines.
- After the connections have been made, turn on the water supply and check for leakages at all joints. If water leaks from any of the connections tighten the connection until the leakage stops.
- If no leakage, turn the handles to the full open position and let the water flush for 45 second. This can prevent damages to the ceramic cartridges caused by debris in the supply line.
- During the flushing, check for leakage at the connecting joints and repeat step 3 if necessary.

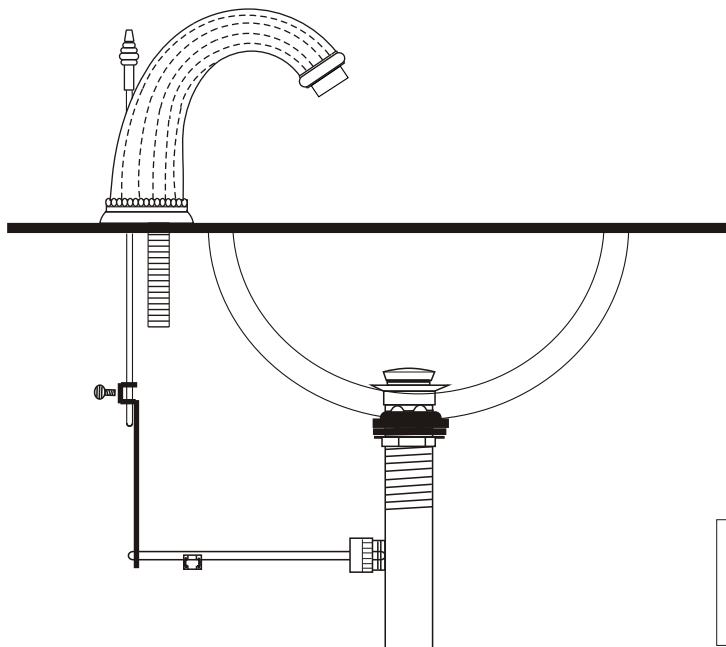
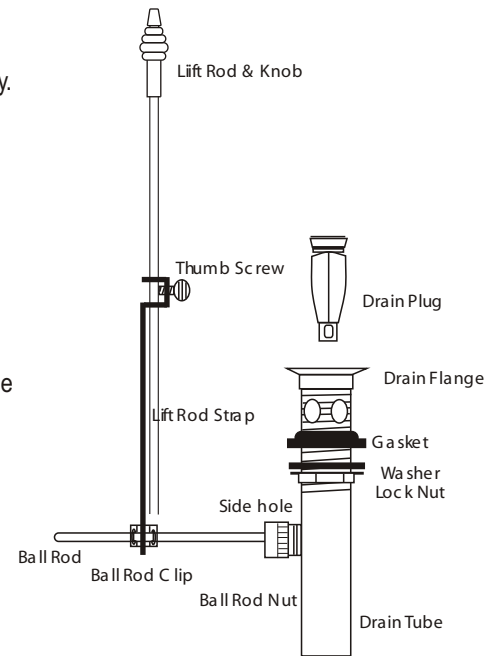
* Enclosed Allen Key can be used when replacing cartridges or when the handles are required to be disassembled for maintenance.



INSTALLATION INSTRUCTIONS

POP UP INSTALLATION

1. Remove the decorative drain flange, drain plug and gasket from pop-up assembly.
Do not remove the washer and lock nut.
2. Place the flange gasket onto the drain tube beveled side upward and on top of the washer.
Apply a ring of silicon caulking around the top of sink drain opening. Do not use plumbers' putty.
3. Insert the threaded end of the assembly up from the under the sink so that the top of the drain tube is through the drain opening. Make sure the bottom of the drain tube is in the p-trap.
4. Completely thread the drain flange onto the top of the drain tube. Hand tighten the locknut from under the sink.
5. Position the drain tube so the side hole in the pop-up faces you.
Place the drain plug into the drain tube so the hole is in line with the side hole of the drain tube. Place the short end of the ball rod into the side hole of the drain tube and through the hole in the drain plug and tighten the ball rod nut so the ball rod moves freely.
NOTE: Do not over tighten.
6. Rotate the pop-up so the ball rod faces the back wall and tighten the lock nut giving it an extra 1/4 turn. Hand tighten the nut at the connection with P-trap. Test the rod and pop-up plug by pushing the ball rod up and down to see if it raises and lowers the pop-up.
If not reinstall the ball rod.
7. Slip your faucet's pop-up lift rod through the holes at the top of the lift rod strap and hand tighten the thumb screw. Push the ball rod down so the drain plug is in the up position. Slip the one leg of the ball rod clip onto the ball rod and then slide the lift rod strap onto the ball rod using the nearest hole. Then slide the second leg of the clip onto the rod. Test the pop-up for smooth operation and adjust the strap if necessary.



Santec Inc.
3501 Challenger Street, Torrance, CA 90503
Tel: (310) 542-0063 Fax (310) 542-5681
www.santecfaucet.com

03/03