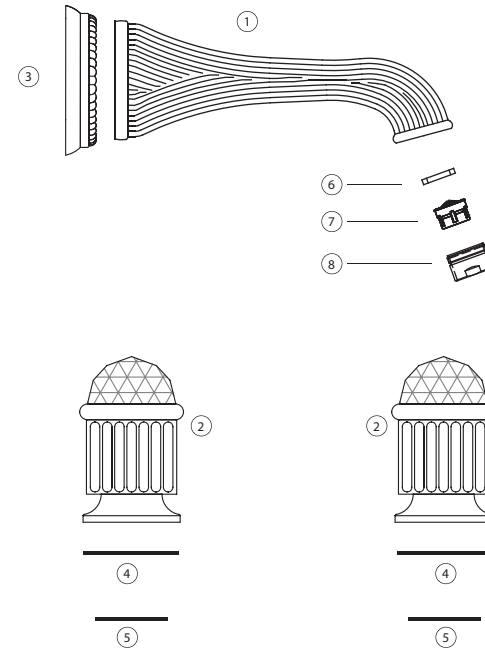


Parts Breakdown



#	DESCRIPTION	PART #	#	DESCRIPTION	PART #
1	Wall Mount Widespread Spout *	P0282	5	Adapter	P0477
	Tub Spout Lip*	PS-2M00-LP	6	Set-Screw, Handle	PM-027
2	Complete LL Handle *	YY-FL	7	Aerator Washer	PM-306
3	Spout Flange	PH2210	8	Aerator Assembly	PM-305
4	Handle Washer	PM-400	9	Aerator Housing *	P0952-U

* Please specify the finish when ordering the part.

KEEP THIS INSTRUCTION BOOKLET FOR FUTURE REFERENCE

Important : Please register your product online at www.santecfaucet.com within 30 days of purchase. Santec reserves the right to request additional documents before servicing warranty requests.

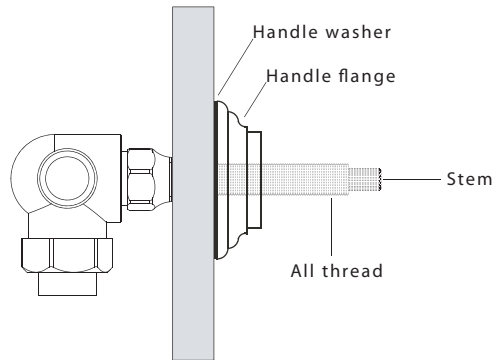
Handle

Handle Trim Installation

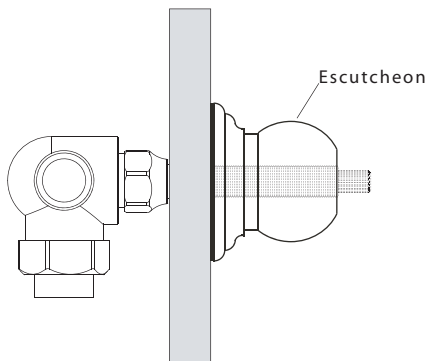
NOTE: The All Thread and Stem should be cut to proper length (see SA-CORNER installation instructions for all wallmount valve measurements).

Remove the protective valve cover.

Screw the handle flange with the handle washer onto the all thread until they are firmly pressed against the finish wall.



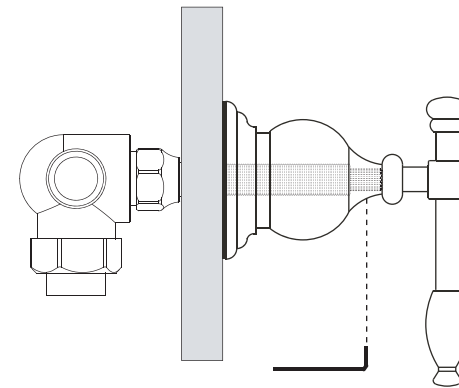
Screw the escutcheon onto the all thread. If there is a gap between the handle flange and the escutcheon remove it and cut off the excess thread and stem and re-thread the escutcheon.



Handle

Handle Trim Installation

Insert the lever assembly onto the stem and tighten the set screw with the Allen key provided.



Spout

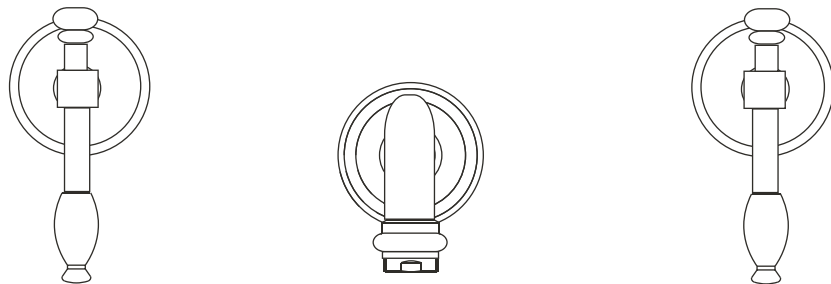
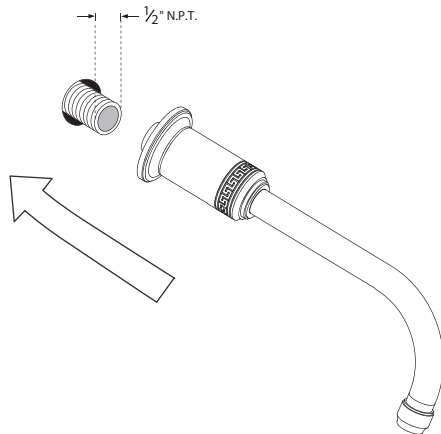


Spout Installation

NOTE: The length of threaded pipe should be no longer than 1/2" from finished wall.

Wrap the pipe threading for the spout with Teflon tape. Then thread the spout onto the pipe until it is secured with the spout facing downward.

WARNING: Do not use excessive force when threading the spout.



SANTEC LIFETIME LIMITED WARRANTY

1. Finishes: Santec Polished Chrome, Polished Nickel and Satin Nickel finishes carry a Lifetime Limited warranty against manufacturing defects and tarnish to the original purchaser with the exclusion of kitchen drain assemblies which, due to the nature of their use, are not warranted. Santec recommended custom finishes carry a ten (10) years limited warranty against manufacturing defects and tarnish to the original purchaser with the exclusion of kitchen and pop-up drain assemblies which, due to the nature of their use, are not warranted. Kitchen products carry a three (3) year limited warranty.
2. Cartridges: Santec Cartridges carry a lifetime limited warranty against manufacturing defects for the life of the product to the original purchaser.
3. Parts: Santec parts carry a ten (10) year limited warranty against manufacturing defects, to the original purchaser. Kitchen products carry a five (5) year limited warranty.
4. Warranty exclusions and limitations: This warranty does not cover: damage due to negligence, accident, abuse, improper installation, or improper maintenance such as, but not limited to: heat from soldering during installation, the use of plumbers putty, damage from tools used during installation, the use or exposure to chemicals or cleaning products either abrasive or non abrasive or the use of any cleaning tool or product other than a soft, clean cloth. Pop-up assemblies are not covered under warranty. This warranty does not cover: changes in the finish or in the product due to normal wear or aging and does not cover any products or parts which have been altered or used in a manner not typical for the product. This warranty does not cover and Santec will not be held liable for damage to products caused by the freight carrier and a claim should be made immediately to the freight carrier should this occur. This warranty does not cover any cost involved in the installation, repair, or replacement of any Santec product or part. This warranty does not cover and Santec will not be held liable for any loss, damages, or expenses, incidental or consequential whatsoever, originating from the purchase, installation, use, repair, failure, or replacement of any Santec product or part, as allowed by law. The product or components of the covered product will either be repaired, refinished or replaced, at the sole discretion of Santec. Santec reserves the right to examine any product claimed defective prior to any warranty claim being accepted or processed, at its sole discretion. This warranty gives you specific legal rights and you may have other rights which may vary from state to state.

Effective 01/01/09 - Replaces and supersedes any previously issued warranty

FINISH CARE INFORMATION

For clear coated or enamel color finishes:

We recommend that all faucets, drains, etc be gently wiped dry with a soft cloth after use to avoid water spotting and water deposit buildup. A mild liquid hand soap, such as Ivory may be used occasionally if desired. Use of non-abrasive carnauba wax will add protection to the finish and should be used if the faucets will not be dried after use.

For non-clear coated and specialty finishes:

We recommend that all faucets, drains, etc be gently wiped dry with a soft cloth after use to avoid water spotting and water deposit buildup. Use of a non-abrasive carnauba wax is required occasionally.

PLEASE REGISTER YOUR PRODUCT ONLINE FOR WARRANTY SERVICES
www.santecfaucet.com/registration