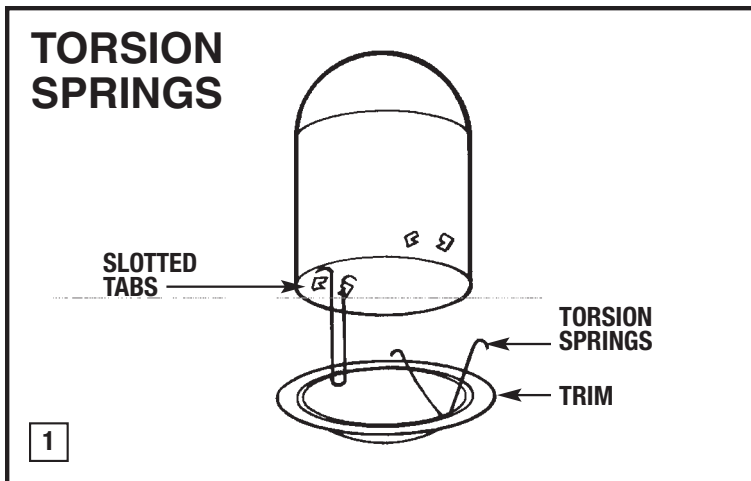


INSTALLATION AND SAFETY INSTRUCTIONS

IMPORTANT SAFETY INSTRUCTIONS

- Be sure the electricity to the system you are working on is turned off; either the fuse removed or the circuit breaker set at off.
- Use of other manufacturers components will void warranty, listing and create a potential safety hazard.
- If you are unclear as to how to proceed, contact a qualified electrician.
- You don't need special tools to install this fixture.
- Be sure to follow the steps in the order given.
- Read instructions carefully.
- Save these instructions.

TORSION SPRINGS (Figure 1): Squeeze the arms together and insert them into the slotted tabs on the inside of the housing. Push upward fully so springs will hold trim in place (see Diagram 1).

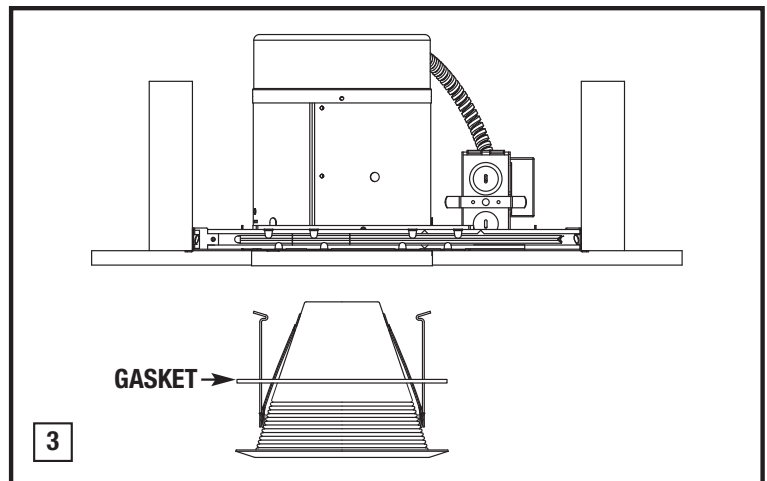


BEFORE YOU BEGIN:

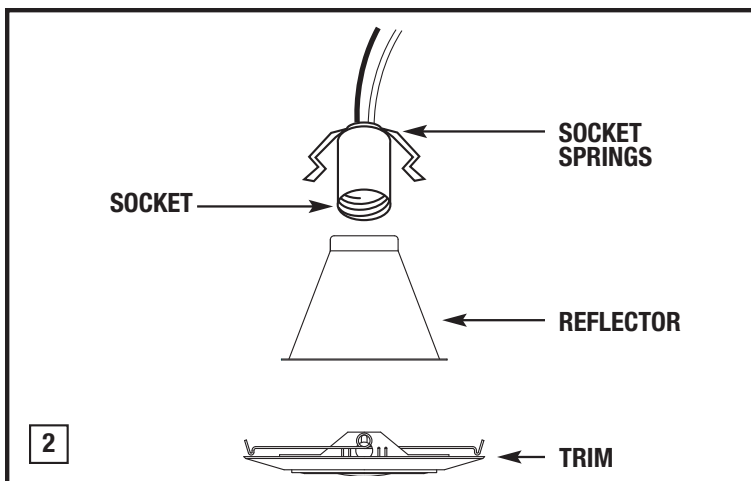
Carefully remove the fixture from the carton and check that all parts are included, as shown in figure 1 and 2. Be careful not to misplace any of the screws or parts which are needed to install this fixture.

TO INSTALL LAMPS: Select proper lamp (see lamp maximum wattage label in housing). Do not exceed maximum wattage lamp shown for each trim.

- Snap socket into back of socket plate or trim housing.
- Place rubber washer around lamp neck (flat side towards can) - shower trim only.
- Thread lamp into socket.



REFLECTOR INSTALLATION (Figure 2): Snap socket into hole provided in top of the trim or reflector. Install trim by pressing reflector around lip of trim and turn clockwise to lock into position.



sea gull lighting®

**Installation And
Safety Instruction**

HC-1340 032008

Line art shown may not exactly match the fixture enclosed. However, the installation instructions do apply to this fixture.

Fill In Item Number On Carton And
File This Sheet For Fixture Reference. ITEM# _____