

DESCRIPTION

- Metal construction with chrome plated, LifeShine® brushed nickel, or LifeShine® hammered nickel finishes
- 1/2" IPS connections will accept standard ball nose connection for 3/8" tubing
- Optional hot and cold temperature indicators available
- Includes metal pop-up waste assembly
- Designed to be installed through 3, 1" min. dia. holes

OPERATION

- Lever style handles
- Maximum handle rotation angle is 90° to full on for either handle
- Rotate hot side handle counterclockwise to open and clockwise to close
- Rotate cold side handle clockwise to open and counterclockwise to close

FLOW

- Aerator is limited to 2.2 gpm max. (8.3 L/min)

CARTRIDGE

- 1224 cartridge design
- Nonmetallic/nonferrous and stainless steel materials

STANDARDS

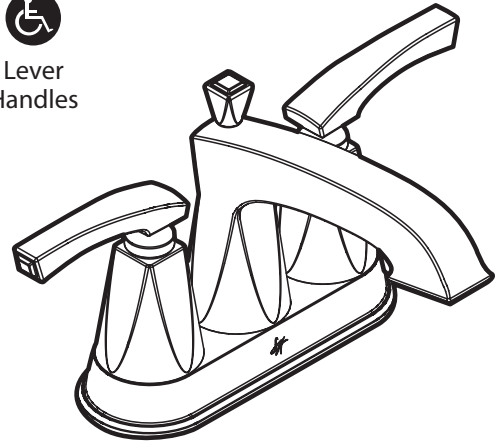
- Third party certified to ASME A112.18.1/CSA B125.1 and all applicable requirements referenced therein
- Certified to ANSI/NSF 61/9
- Complies with California Proposition 65 and with the Federal Safe Drinking Water Act

WARRANTY

- Lifetime limited warranty against leaks, drips and finish defects to the original consumer purchaser
- 5 year warranty if used in commercial installations

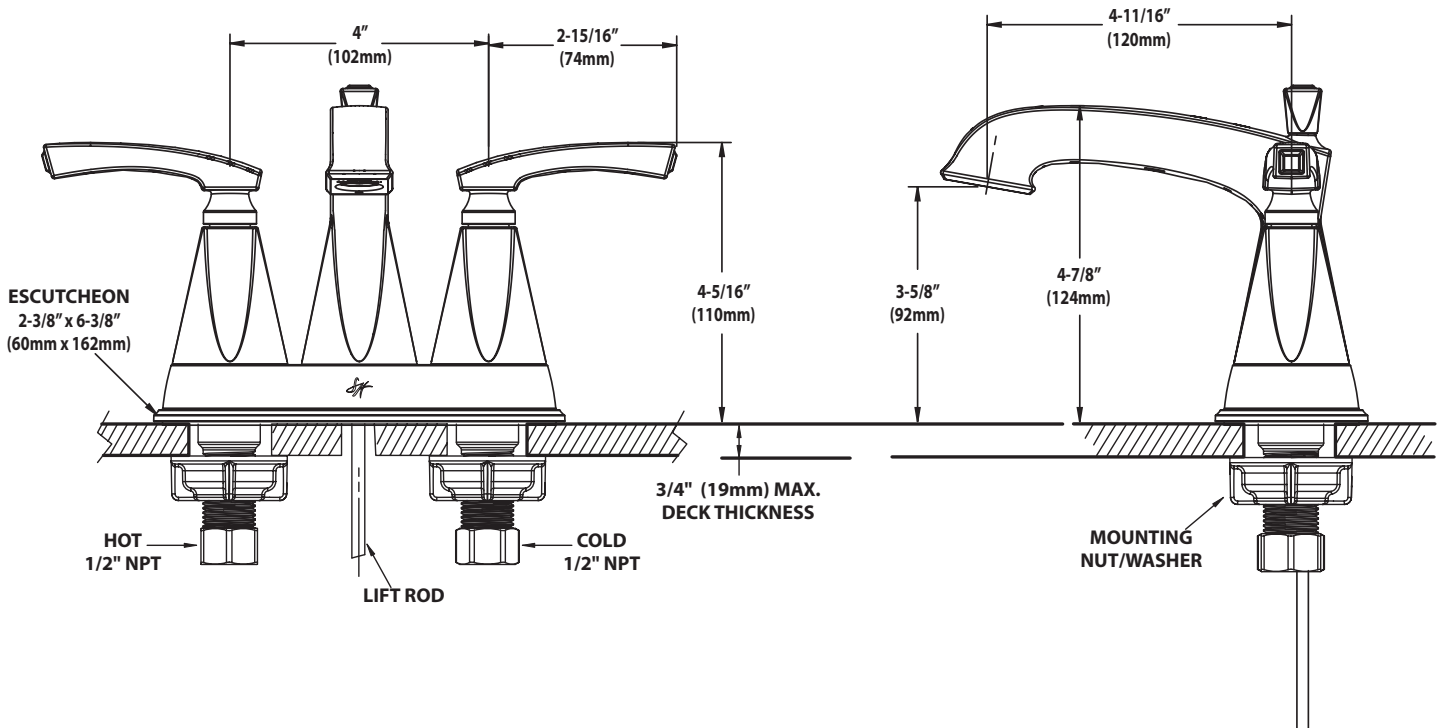


Lever
Handles



**Divine™
Two-Handle Lavatory Faucet**

Models: S452, S452BN, S452HN



CRITICAL DIMENSIONS

(DO NOT SCALE)