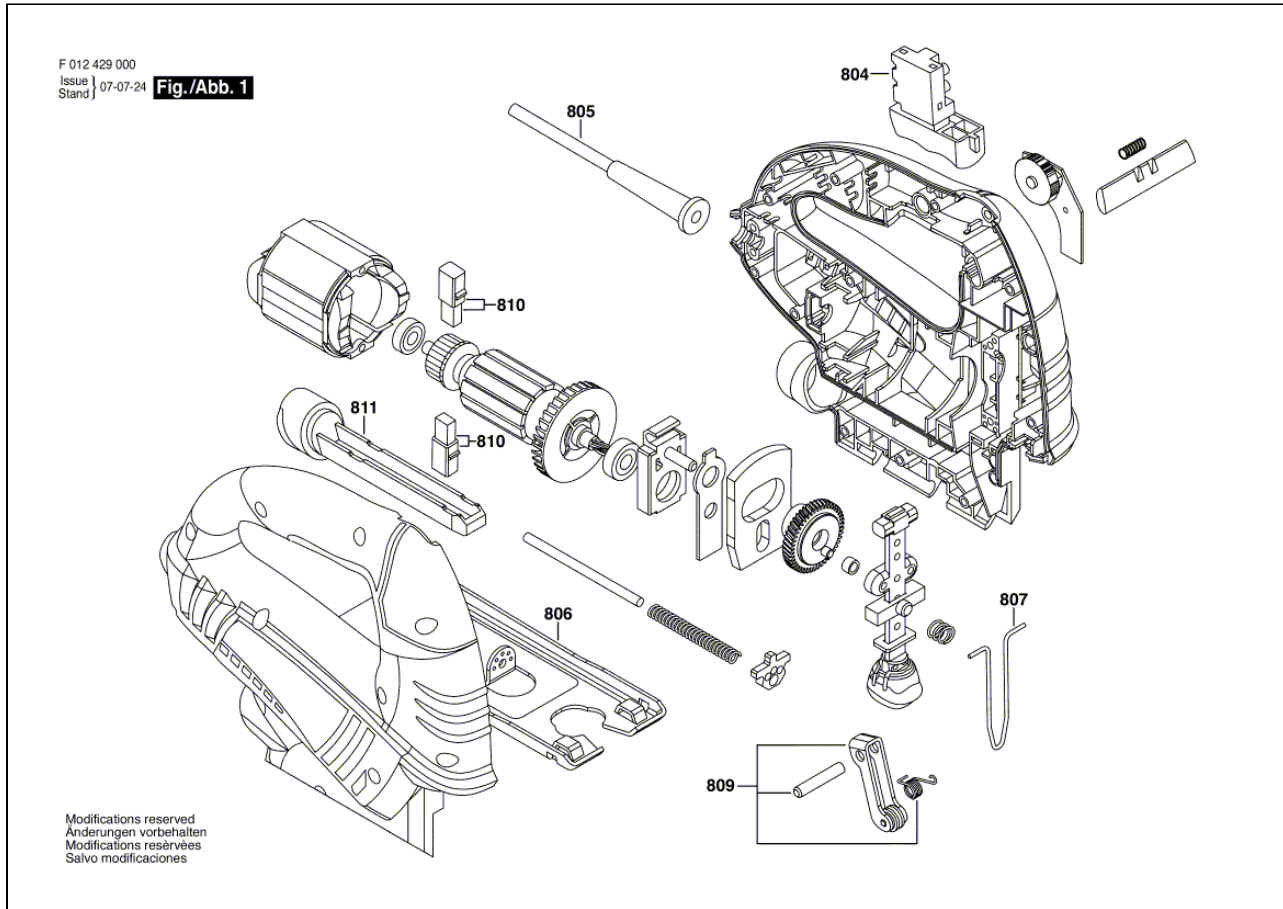




F 012 429 000 4290

19.05.2008 23:04:04



Item	Quantity	Order No.	Designation	Price group	Page
804	1	1 619 X02 085	ON-OFF SWITCH	18	1
805	1	1 619 X02 083	CORD	23	1
806	1	1 619 X02 087	BASE PLATE	16	1
807	1	1 619 X02 088	PROTECTION GUARD	10	1
809	1	1 619 X02 089	ROLLER GUIDE	14	1
810	1	1 619 X02 090	CARBON-BRUSH SET	17	1
811	1	1 619 X02 253	CARTRIDGE BEARING	14	1