



MICROPlumb® PRODUCTS Electronic Prison Flushometer

ROYAL 613-ESM

► Description

Concealed Urinal Flushometer, for stainless steel 3/4" back inlet urinals. Solenoid Operated with Modular Plug for use with Sloan PWT Systems (24 VAC only).

► Flush Cycle

- Model 613 Water Saver (1.5 gpf/5.7 Lpf)
- Model 613-1 Low Consumption (1.0 gpf/3.8 Lpf)
- Model 613-0.5 (0.5 gpf/1.9 Lpf)

► Specifications

Quiet, Concealed, Diaphragm Type, Rough Brass Urinal Flushometer for either left or right hand supply with the following features:

- Dual Filtered By-Pass
- Diaphragm, Handle Packing, Stop Seat and Vacuum Breaker to be molded from Permex® rubber compound for Chloramine resistance
- 3/4" I.P.S. Wheel Handle Bak-Chek® Angle Stop
- Adjustable Tailpiece
- High Back Pressure Vacuum Breaker
- Elbow Flush Connection
- Coupling for 3/4" NPT Back Inlet Urinals (for connection in the pipe chase - flush connection through the wall not provided by Sloan)
- Sweat Solder Adapter

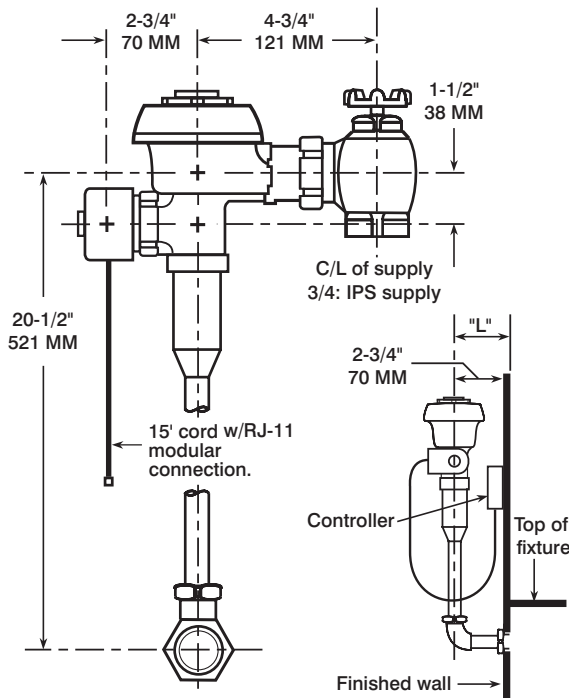
Valve Body, Cover, Tailpiece and Control Stop shall be in conformance with ASTM Alloy Classification for Semi-Red Brass. Valve shall be in compliance to the applicable sections of ASSE 1037, ANSI/ASME 112.19.6, and Military Specification V-29193.

► L Dimension

Specify the "L" Dimension for the proper length of the Flush Connection Assembly. The "L" Dimension is equal to the Wall Thickness (to the nearest whole inch) plus 2-3/4".

► Variations

- WB For installation with Sloan Easy Access® Wall Box



This space for Architect/Engineer approval

The information contained in this document is subject to change without notice.



10500 Seymour Avenue • Franklin Park, Illinois 60131-1259
Phone 800-671-6970 • Fax 847-671-6944